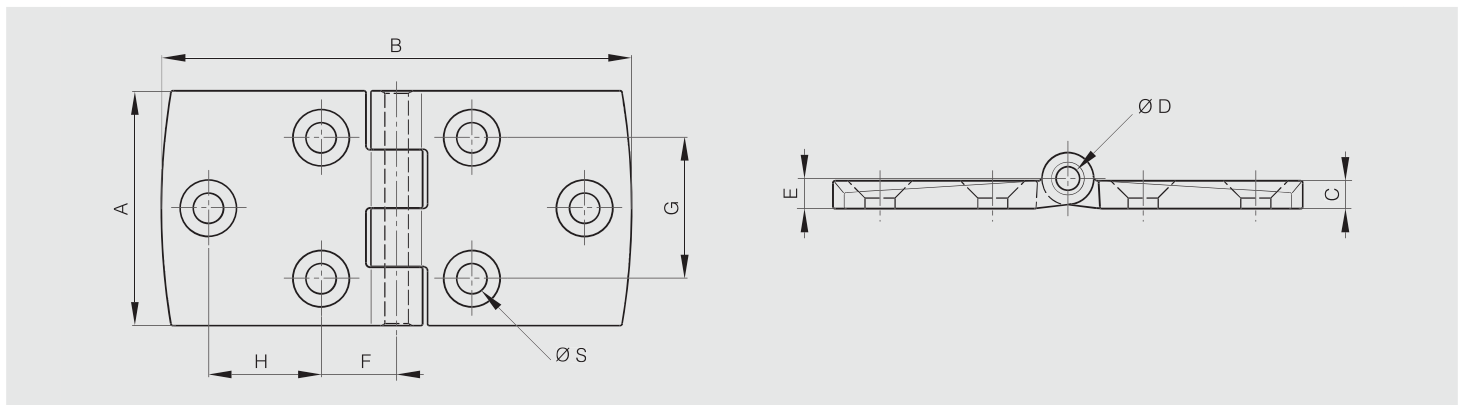


Symmetrical design hinges

Hinges are made of 30% GF polyamide, pins are in 316L stainless steel.
 UL 94 V-0 classification: please contact us.
 White color: please contact us.



Part number	Material	Finish	A	B	C	D	E	F	G	H	S	Weight (g)
54-1-3569	polyamide	black	40	80	5.2	4	5.7	13.5	25	19	5.3	20
54-1-3570	polyamide	black	40	120	5.2	4	5.7	14.5	25	38	5.3	25
54-1-3571	polyamide	black	50	100	5.9	5	6.4	16	30	24	6.4	35
54-1-3572	polyamide	black	60	120	6.5	6	7	18	36	30	6.4	62



Asymmetrical design hinges

Hinges are made of 30% GF polyamide, pins are in 316L stainless steel.
 UL 94 V-0 classification: please contact us.
 White color: please contact us.



Part number	Material	Finish	A	B	C	D	E	F	G	H	S	Weight (g)
54-1-3573	polyamide	black	40	60	5.2	4	5.7	13	25	19	5.3	16
54-1-3574	polyamide	black	40	80	5.2	4	5.7	13.5	25	38	5.3	19
54-1-3575	polyamide	black	50	75	5.9	5	6.4	15.5	30	24	6.4	30
54-1-3576	polyamide	black	60	90	6.5	6	7	18	36	30	6.4	49

