

4-hole square polyamide hinge with carbon fibre

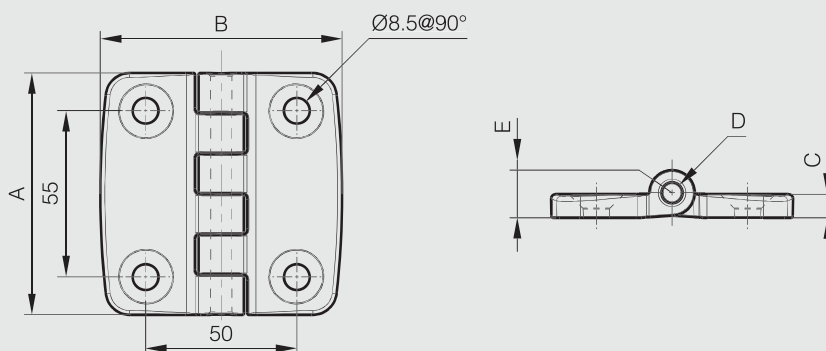


Hinge is made of 30% carbon fibre 6.6 PA.
Pin: 303 stainless steel.

Cycling test : hinge is functional after 10.000 cycles (open/close) for a 80 kg door (dimension 1500 (H) x 750 (W) mm).



Part number	Material	Finish	A	B	C	D	E	Pin material	Weight (g)
NEW 54-1-3555	polyamide	black	80	80	7.8	7	8.25	303 stainless steel	68



6-hole square polyamide hinges with carbon fibre



Hinges are made of 30% carbon fibre 6.6 PA.
Pin: 303 stainless steel.

Part number	Material	Finish	A	B	C	D	E	F	G	H	Pin material	Weight (g)
NEW 54-1-3558	polyamide	black	100	100	7.8	7	8.25	48	75	15	303 stainless steel	95
NEW 54-1-3561	polyamide	black	120	120	8	8	9.3	55	90	17.5	303 stainless steel	140

