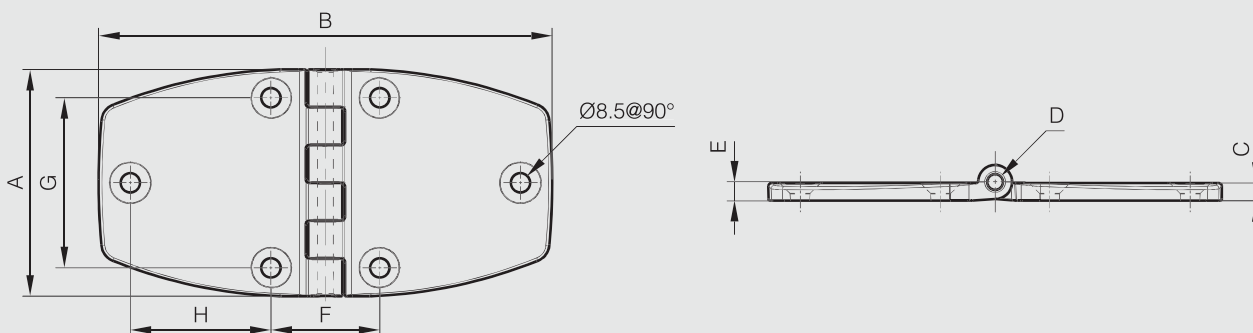


Symmetrical polyamide hinges with carbon fibre

Hinges are made of 30% carbon fibre 6.6 PA.
Pin: 303 stainless steel.



	Part number	Material	Finish	A	B	C	D	E	F	G	H	Pin material	Weight (g)
NS	54-1-3557	polyamide	black	80	160	7.8	7	8.25	50	55	40	303 stainless steel	115
NEW	54-1-3560	polyamide	black	100	200	7.8	7	8.25	48	75	62	303 stainless steel	135
NEW	54-1-3563	polyamide	black	120	240	8	8	9.3	55	90	77.5	303 stainless steel	195



Asymmetrical polyamide hinges with carbon fibre

Hinges are made of 30% carbon fibre 6.6 PA.
Pin: 303 stainless steel.



	Part number	Material	Finish	A	B	C	D	E	F	G	H	J	K	Pin material	Weight (g)
NS	54-1-3556	polyamide	black	80	120	7.8	7	8.25	50	55	40		40	303 stainless steel	100
NEW	54-1-3559	polyamide	black	100	150	7.8	7	8.25	48	75	62	15	50	303 stainless steel	115
NEW	54-1-3562	polyamide	black	120	180	8	8	9.3	55	90	77.5	17.5	60	303 stainless steel	168

