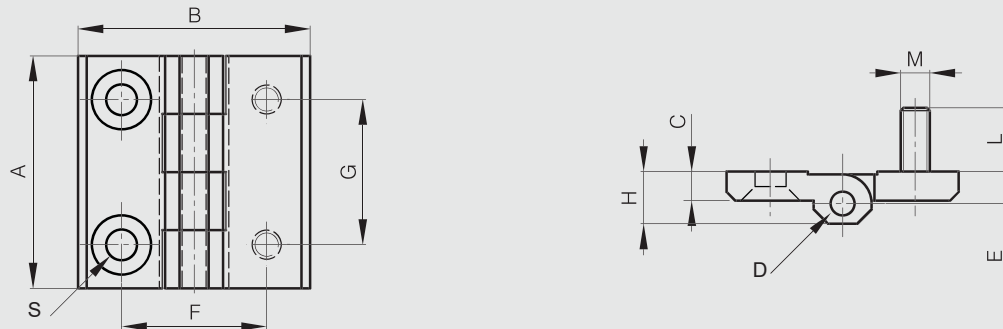


Polyamide hinges combined studs and holes

Hinges are made of 30% GF polyamide, pins are in 304 stainless steel.



Part number	Material	Finish	A	B	C	D	E	F	G	H	L	M	S	Weight (g)
54-1-3033	polyamide	black	40	40	5	4	5.5	25	25	9	11	M5	5.3	50
54-1-3034	polyamide	black	50	50	6	6	6.5	30	30	11.5	15	M6	6.4	50



Heavy duty plastic hinge - 180° opening

Nickel plated steel pin. Max. 180° opening.



Part number	Material	Finish	A	B	C	D	Weight (g)
54-1-9000	polyamide	black	108	131	9.5	6	100

