



### Polymer bushing lift-off hinge



Hinge tested to EN1935: 2002 grades 13-14.

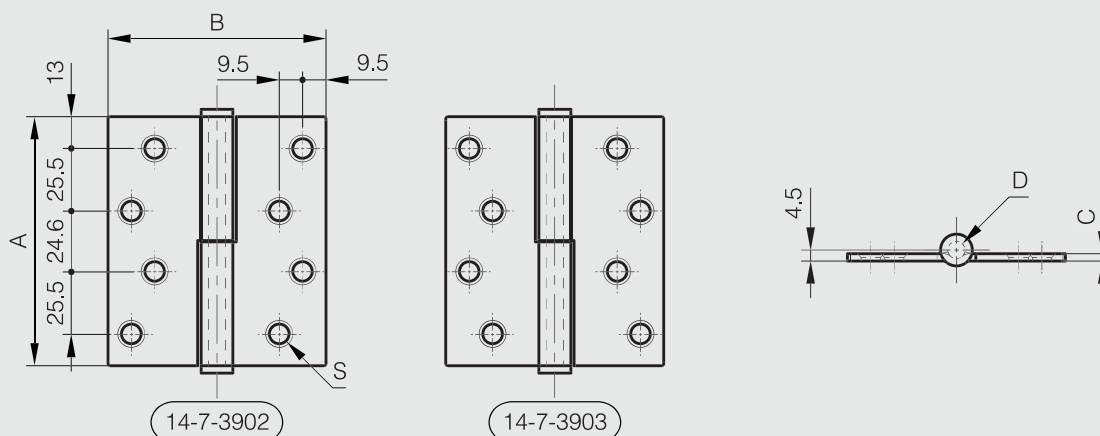
Recommended for door weights less than 160 kg, annual usage up to 200,000 cycles.

Door thickness: 44 mm to 54 mm.

Standard hinge version 52-7-4132.



	Part number	Material	Finish	A	B	C	D	S	Note	Weight (g)
NEW	14-7-3902	304 stainless steel	satin polished	101.6	88.9	3	7	8.5	Type 2	255
NEW	14-7-3903	stainless steel	satin polished	101.6	88.9	3	7	8.5	Type 1	255



### Stainless steel and bronze shrouded bushing hinge 114.3 x 114.3 mm



Hinge tested to EN1935: 2002 grades 12-14.

Recommended for door weights less than 160 kg, annual usage up to 150,000 cycles.

For heavy duty applications.

Door thickness: 44 mm to 68 mm.



	Part number	Material	Finish	A	B	C	D	S	Weight (g)
NEW	52-7-4133	316 stainless steel	satin polished	114.3	114.3	4	9	8.5	570

