



Stainless steel range - Hinges

Heavy duty hinges with rolled knuckles

Polymer shrouded bushing hinge 101.6 x 76.2 mm

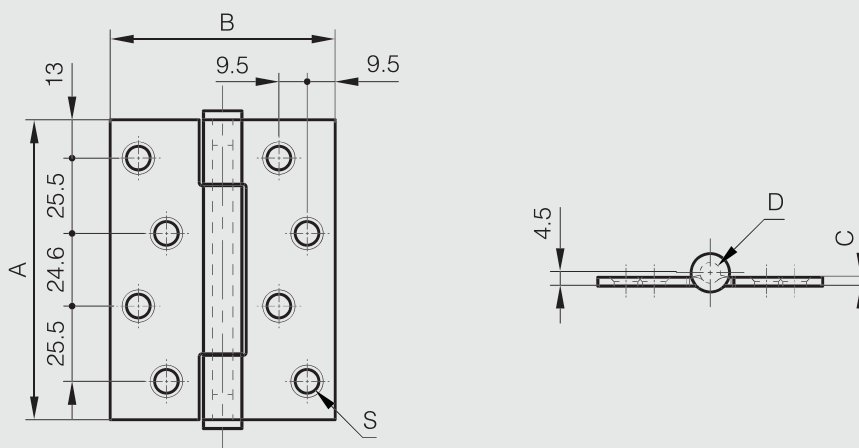


Hinge tested to EN1935: 2002 grades 13-14.

Recommended for door weights less than 160 kg, annual usage up to 200,000 cycles.

Door thickness: 44 mm to 54 mm.

	Part number	Material	Finish	A	B	C	D	S	Weight (g)
NEW	52-7-4131	304 stainless steel	satin polished	101.6	76.2	3	7	8	235



Polymer shrouded bushing hinge 101.6 x 88.9 mm



Hinge tested to EN1935: 2002 grades 13-14.

Recommended for door weights less than 160 kg, annual usage up to 200,000 cycles.

Door thickness: 44 mm to 54 mm.

Lift-off hinge version 14-7-3902 and 14-7-3903

	Part number	Material	Finish	A	B	C	D	S	Weight (g)
NEW	52-7-4132	304 stainless steel	satin polished	101.6	88.9	3	7	8	270

