



Stainless steel range - Hinges

Heavy duty hinges with rolled knuckles

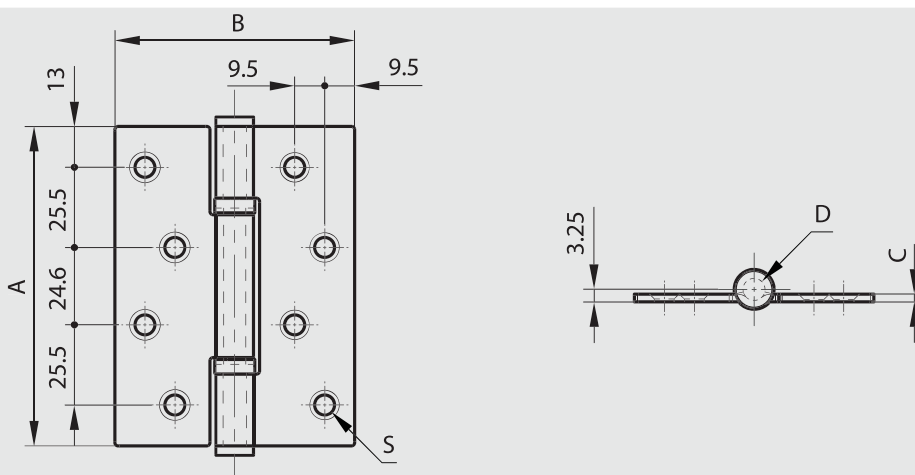
Polymer bushing and stainless steel washer hinge 101.6 x 76.2 mm



Hinge tested to EN1935: 2002 grades 12-13.

Recommended for door weights less than 120kg, annual usage up to 100,000 cycles.

	Part number	Material	Finish	A	B	C	D	S	Weight (g)
NEW	52-7-4129	304 stainless steel	satin polished	101.6	76.2	2.5	7	7.4	205



Bronze bushing hinge 101.6 x 76.2 mm



Hinge tested to EN1935: 2002 grade 13.

Recommended for door weights less than 120 kg, annual usage up to 100,000 cycles.

Door thickness: 35 mm to 54 mm

	Part number	Material	Finish	A	B	C	D	S	Weight (g)
NEW	52-7-4130	304 stainless steel	satin polished	101.6	76.2	2.5	5	6.35	185

