



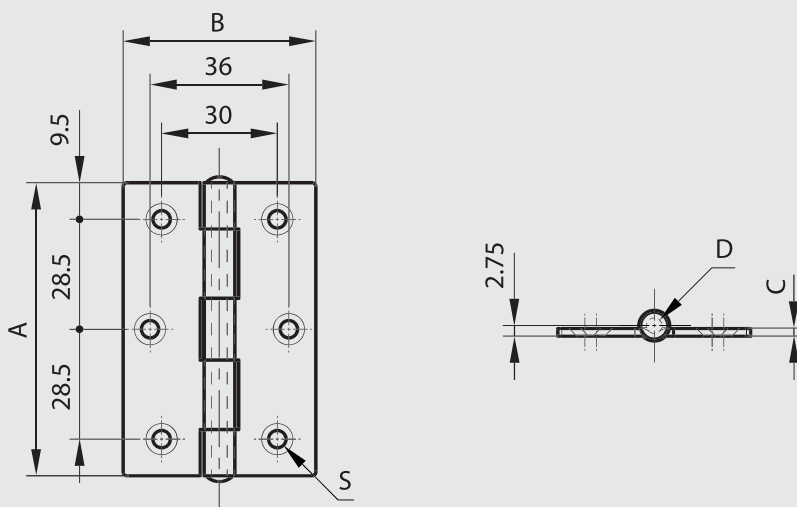
### Heavy duty hinge 76 x 50 mm



Hinge tested to EN1935: 2002 grades 1-7

Recommended for door weights less than 40 kg, annual usage up to 10,000 cycles.

	Part number	Material	Finish	A	B	C	D	S	Weight (g)
<b>NEW</b>	<b>52-7-4127</b>	304 stainless steel	satin polished	76	50	2	4	5.4	70



### Stainless steel dual washer hinge 101.6 x 73 mm



Hinge tested to EN1935: 2002 grade 10.

Recommended for weights less than 60 kg, annual usage up to 25,000 cycles.

	Part number	Material	Finish	A	B	C	D	S	Weight (g)
<b>NEW</b>	<b>52-7-4128</b>	304 stainless steel	satin polished	101.6	73	2	6	5.4	145

