



# Stainless steel range - Hinges

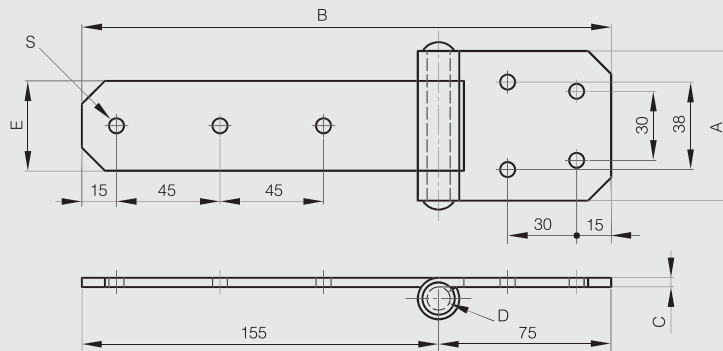
## Heavy duty hinges with rolled knuckles

### Heavy duty hinges - 65 x 230 mm

Riveted pin.



Part number	Material	Finish	A	B	C	D	E	S	Note	Weight (g)
52-1-3553	304 stainless steel	brightened	65	230	4	10	39	6.5	drilled	430
52-1-3593	304 stainless steel	brightened	65	230	4	10	39		undrilled	450



### Heavy duty hinge 63.5 x 38 mm



Hinge tested to EN1935: 2002 grades 1-7

Recommended for door weights less than 40 kg, annual usage up to 10,000 cycles.



Part number	Material	Finish	A	B	C	D	S	Weight (g)
<b>NEW</b> 52-7-4126	304 stainless steel	satin polished	63.5	38	2	3	5.4	45

