



Stainless steel range - Hinges

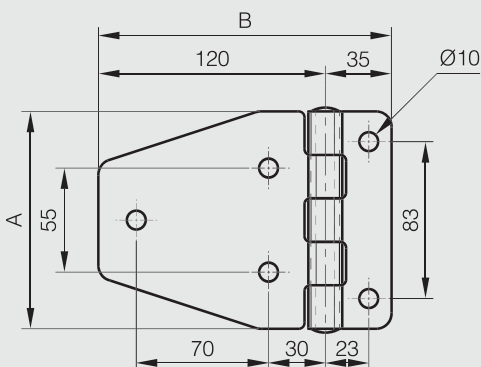
Heavy duty hinges with rolled knuckles

Heavy duty hinge 115 x 155 mm - 5 knuckles

304 stainless steel riveted pin.



	Part number	Material	Finish	A	B	C	D	Weight (g)
NEW	52-1-4140	304 stainless steel	brightened	115	155	4	10	650



Heavy duty hinge 115 x 125 mm - 3 knuckles

304 stainless steel riveted pin.



	Part number	Material	Finish	A	B	C	D	E	Weight (g)
NEW	52-1-4142	304 stainless steel	brightened	115	125	4	10	65	470

