



Glass door hinge in brushed stainless steel

Door thickness: 10 mm min.
Door weight: max. 10 kg / pair.

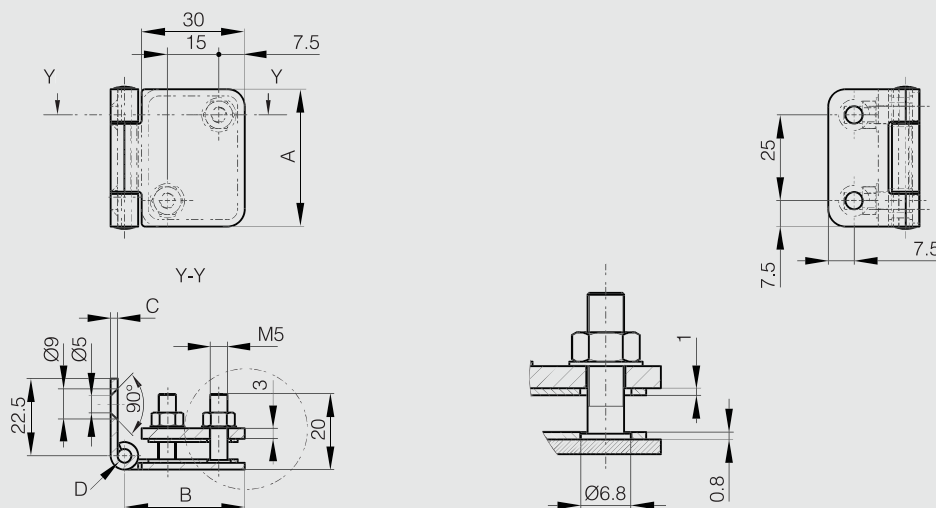


Supplied with EPDM gasket.

Included stainless steel bolts and stainless steel washers. Produced mainly in stainless steel, for a complete description of the materials contact us.



Part number	Material	Finish	A	B	C	D	Weight (g)
52-1-4040	304 stainless steel	brushed	40	35	2	4	80



Glass door hinge in stainless steel

Hinge for glass / acrylic doors (PMMA).

Door thickness: 4 - 6 mm.

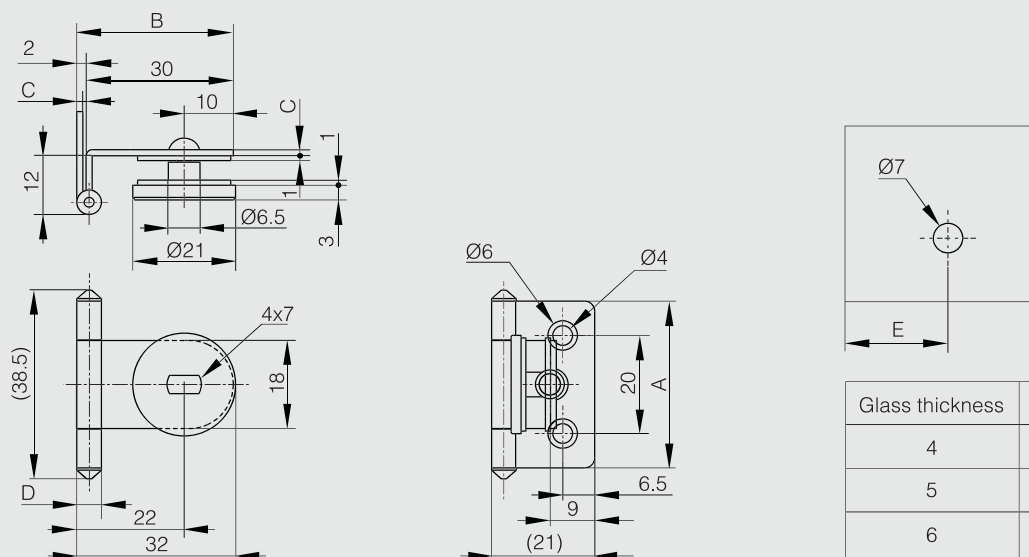
Door weight: max. 4 kg / pair.

Leaves, pin and screw in 304 stainless steel. Plate in aluminium alloy, washer in chloroethylene.

Produced mainly in stainless steel, for a complete description of the materials contact us.



Part number	Material	Finish	A	B	C	D	Weight (g)
72-7-4254	304 stainless steel	raw	34	32	1.2	5	21



Glass thickness	E
4	19
5	18
6	17