



## Square hinges

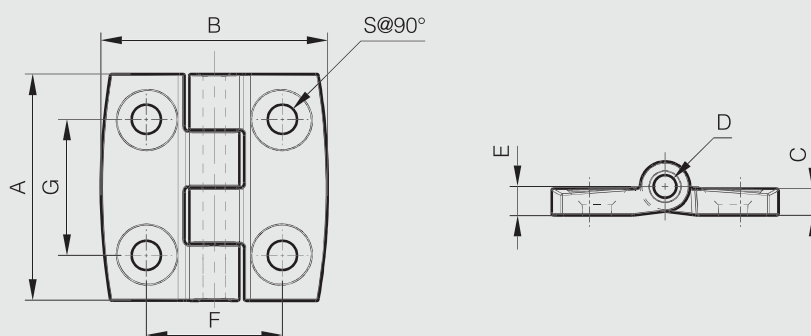
### Square design stainless steel hinge



Hinges: 304 stainless steel.  
Pin: 304 stainless steel.

Models equivalent to square design polyamide hinges (part number 54-1-3565 and 54-1-3566).

	Part number	Material	Finish	A	B	C	D	E	F	G	S	Weight (g)
NEW	72-1-4416	304 stainless steel	brightened	40	40	5.2	4	5.7	25	25	5.3	60
NEW	72-1-4417	304 stainless steel	brightened	50	50	5.9	5	6.4	30	30	6.4	100



### Hinge 30 x 30 mm



	Part number	Material	Finish	A	B	C	D	S	Weight (g)
	52-1-4038	304 stainless steel	raw	30	30	0.8	2	3.3	8

