



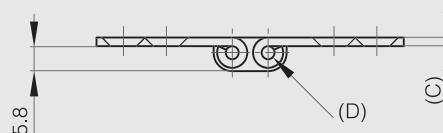
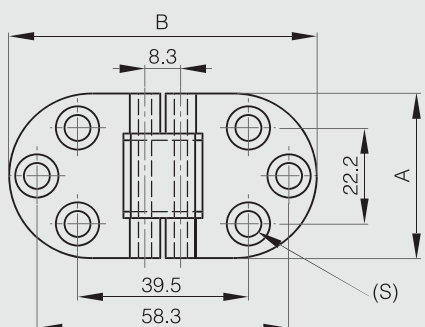
Stainless steel range - Hinges

Hinges for marine applications

Hinge for marine applications - 38.1 x 71.1 mm



Part number	Material	Finish	A	B	C	D	S	Weight (g)
52-1-3898	316 stainless steel	polished	38.1	71.1	2	3	6	42



Hinge for marine applications - 52 x 70 mm

Riveted pin.



Part number	Material	Finish	A	B	C	D	S	Weight (g)
52-1-3964	316 stainless steel	brushed	52	70	1.2	4	5.2	45

