

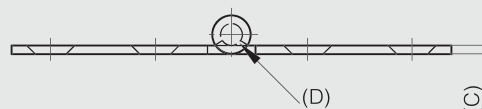
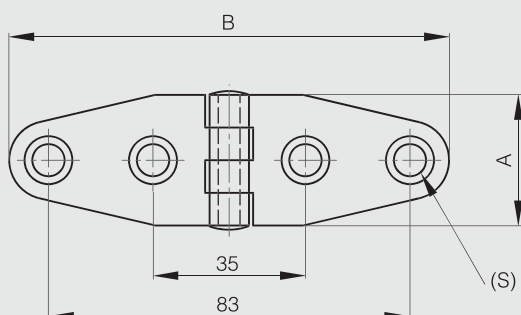


Hinge for marine applications - 30 x 101 mm

Riveted pin.



Part number	Material	Finish	A	B	C	D	S	Weight (g)
52-1-3954	316 stainless steel	polished	30	101	2	5	6	48



Hinge for marine applications - 38 x 178 mm

Riveted pin.



Part number	Material	Finish	A	B	C	D	S	Weight (g)
52-1-3957	316 stainless steel	polished	38	178	2	5	6	96

