



# Stainless steel range - Hinges

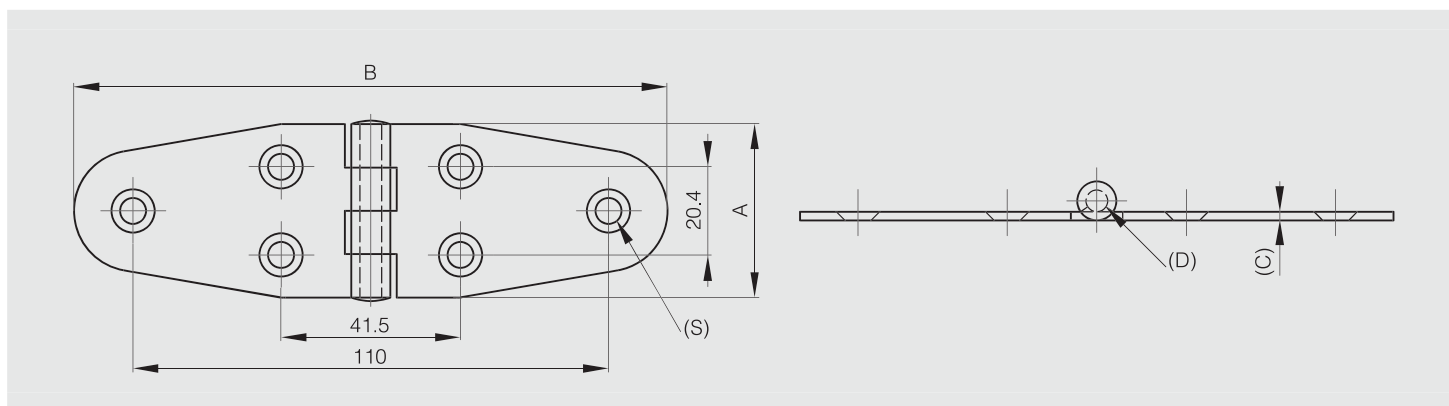
## Hinges for marine applications

### Hinge for marine applications - 40.1 x 137.3 mm

Riveted pin.



Part number	Material	Finish	A	B	C	D	S	Weight (g)
52-1-3953	316 stainless steel	polished	40.1	137.3	2	5	6	80



### Small butt hinge with one cranked leaf 50 mm

304 stainless steel pin.

For door thickness max. 11 mm.



Part number	Material	Finish	A	B	C	D	E	S	Weight (g)
62-1-3300	430 stainless steel	polished	50	28.5	1	3	12	4	20

