



Stainless steel range - Hinges

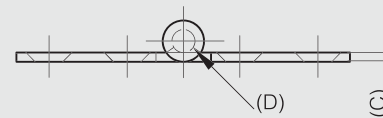
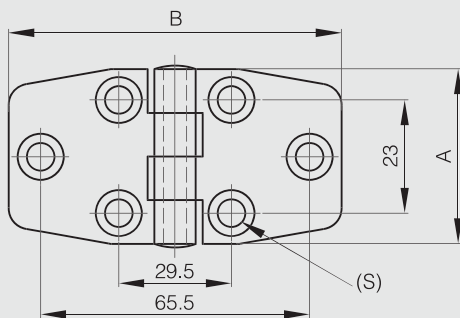
Hinges for marine applications

Hinge for marine applications - 36.5 x 76 mm

Riveted pin.



Part number	Material	Finish	A	B	C	D	S	Weight (g)
52-1-3944	316 stainless steel	polished	36.5	76	2	4	6	50



Hinges for marine applications - 36.5 x 65.5 mm

Riveted pin.



Part number	Material	Finish	A	B	C	D	E	S	Weight (g)
52-1-3950	316 stainless steel	polished	36.5	65.5	2	5	10	6	54
52-1-3949	316 stainless steel	polished	36.5	65.5	2	5	15.9	6	54
52-1-3948	316 stainless steel	polished	36.5	65.5	2	5	19.2	6	54

