



Stainless steel range - Hinges

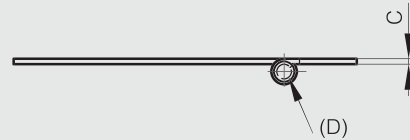
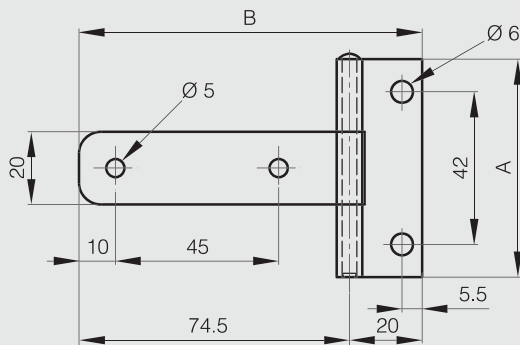
Large width hinges

Stainless steel hinge with removable pin

Removable pin.



Part number	Material	Finish	A	B	C	D	Weight (g)
52-1-3877	304 stainless steel	brightened	60	94.5	1.5	4	50



Removable pin hinges with nylon washers

Nylon washers.

Produced mainly in stainless steel, for a complete description of the materials contact us.



Part number	Material	Finish	A	B	C	D	E	S	Note	Weight (g)
52-1-3605	304 stainless steel	raw	112	136.5	2.5	5	63.5		undrilled	248
52-1-3606	304 stainless steel	raw	112	136.5	2.5	5	63.5	7	drilled	248

