



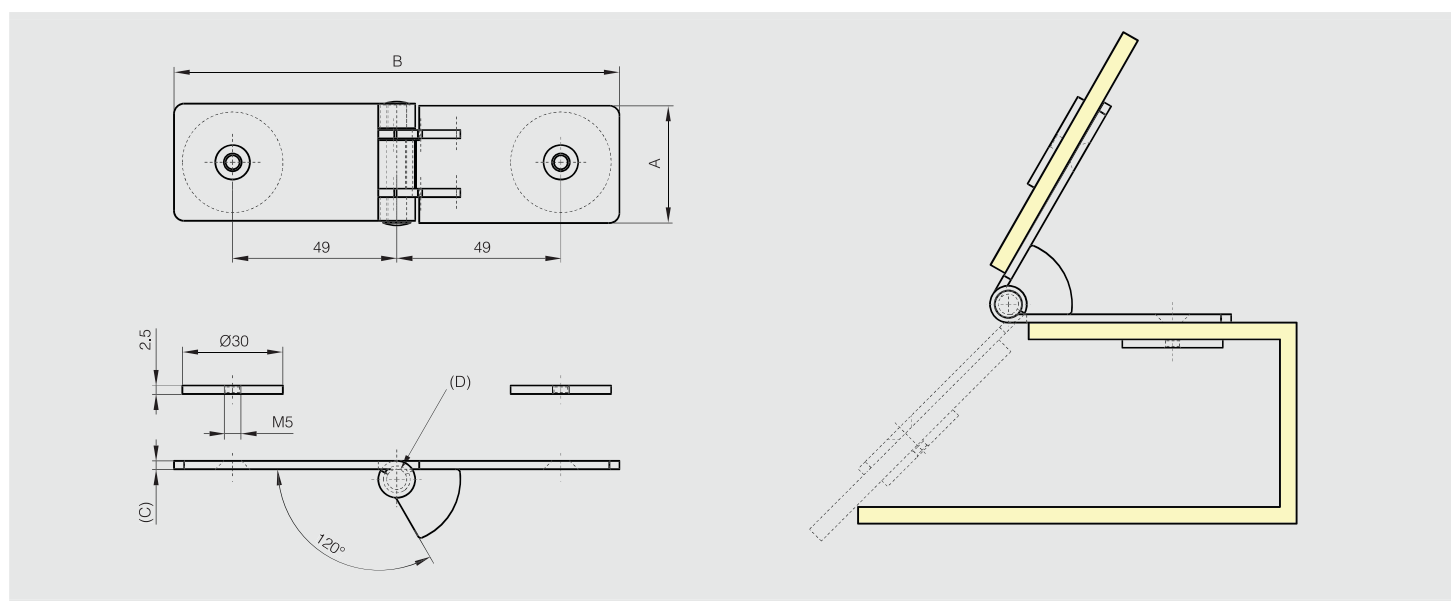
Hinges with stop

Hinge with stop at 60°

Suitable for mounting on glass doors.
For horizontal application.



Part number	Material	Finish	A	B	C	D	Weight (g)
52-1-3840	304 stainless steel	brightened	35	133	2.5	6	140



Hinge with integrated stop at 60°



Part number	Material	Finish	A	B	C	D	E	F	G	S	Weight (g)
NEW 52-1-4135	316 stainless steel	raw	50	50	2.5	6	5.5	34	34	5.5	70

