

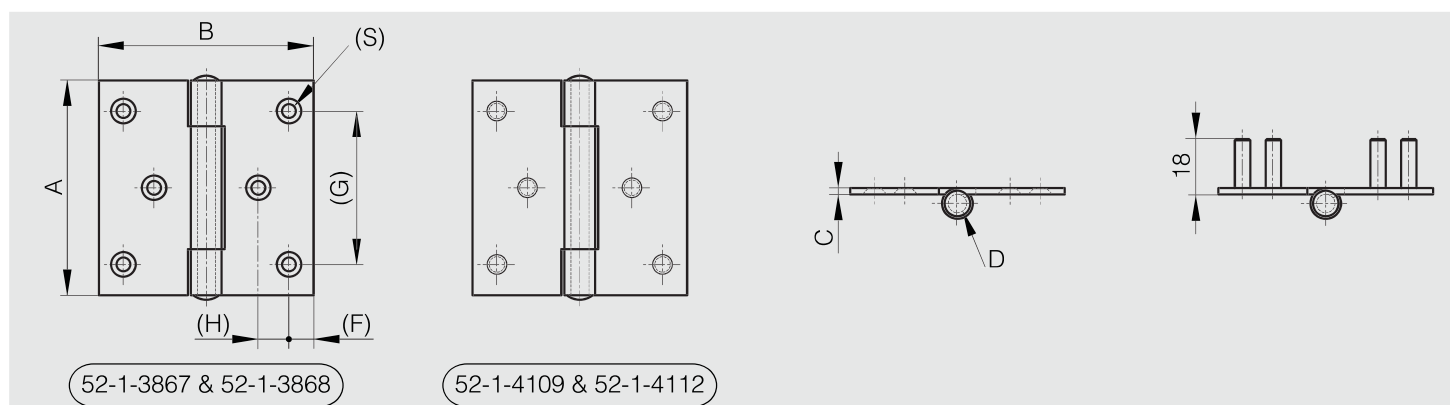


Square hinges with no offset leaf and riveted pin - with 6 holes



Riveted pin.

Part number	Material	Finish	A	B	C	D	F	G	H	S	Note	Weight (g)
52-1-3867	304 stainless steel	raw	70	70	2	6	8	50	10	4.5		110
NS 52-1-4109	304 stainless steel	raw	70	70	2	6	8	50	10	4.5	with M5 studs	128
52-1-3868	304 stainless steel	raw	80	80	2.5	6	8	60	12.5	4.5		166
NS 52-1-4112	304 stainless steel	raw	80	80	2.5	6	8	60	12.5	4.5	with M5 studs	184



Hinge with nylon washers

Teflon plated pin in 304 stainless steel blocked with 2 punches.

4 nylon washers.

Produced mainly in stainless steel, for a complete description of the materials contact us.



Part number	Material	Finish	A	B	C	D	E	F	G	S	Weight (g)
52-1-3790	304 stainless steel	raw	75	80	2	6	10.5	6	52	7.5	120

