



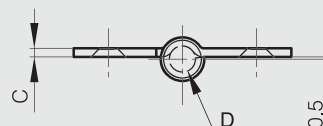
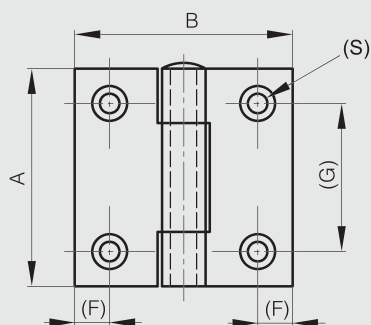
Square hinges

Square hinges with two offset leaves and removable pin - with 4 holes

Removable pin.



Part number	Material	Finish	A	B	C	D	F	G	S	Weight (g)
52-1-3608	304 stainless steel	raw	40	40	2	4	8	24	4	34
52-1-3610	304 stainless steel	raw	50	50	2	6	8	34	4.5	61
52-1-3612	304 stainless steel	raw	60	60	2	6	8	40	4.5	82

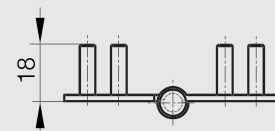
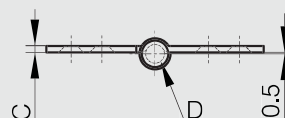
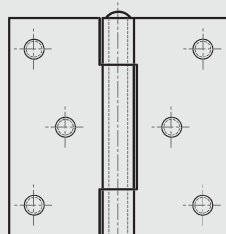
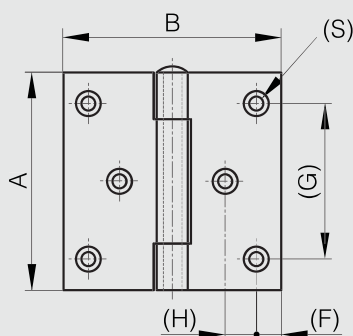


Square hinges with two offset leaves and removable pin - with 6 holes

Removable pin.



Part number	Material	Finish	A	B	C	D	F	G	H	S	Note	Weight (g)
52-1-3614	304 stainless steel	raw	70	70	2	6	8	50	10	4.5		156
NS 52-1-4107	304 stainless steel	raw	70	70	2	6	8	50	10	4.5	with M5 studs	174
52-1-3616	304 stainless steel	raw	80	80	2.5	6	8	60	12.5	4.5		164
NS 52-1-4110	304 stainless steel	raw	80	80	2.5	6	8	60	12.5	4.5	with M5 studs	182



52-1-3614 & 52-1-3616

52-1-4107 & 52-1-4110