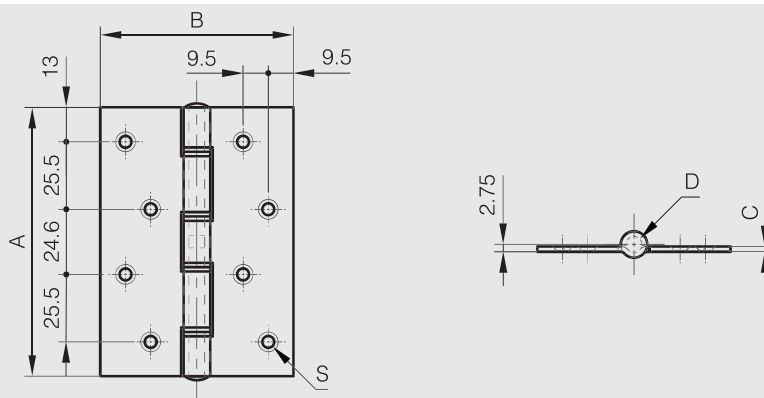


Stainless steel dual washer hinge 101.6 x 73 mm



Hinge tested to EN1935: 2002 grade 10.
Recommended for weights less than 60 kg, annual usage up to 25,000 cycles.

	Part number	Material	Finish	A	B	C	D	S	Weight (g)
NEW	52-7-4128	304 stainless steel	satin polished	101.6	73	2	6	5.4	145



Polymer bushing and stainless steel washer hinge 101.6 x 76.2 mm



Hinge tested to EN1935: 2002 grades 12-13.
Recommended for door weights less than 120kg, annual usage up to 100,000 cycles.

	Part number	Material	Finish	A	B	C	D	S	Weight (g)
NEW	50-7-4285	steel	satin zinc	101.6	76.2	2.5	7	7.4	205
NEW	52-7-4129	304 stainless steel	satin polished	101.6	76.2	2.5	7	7.4	205

