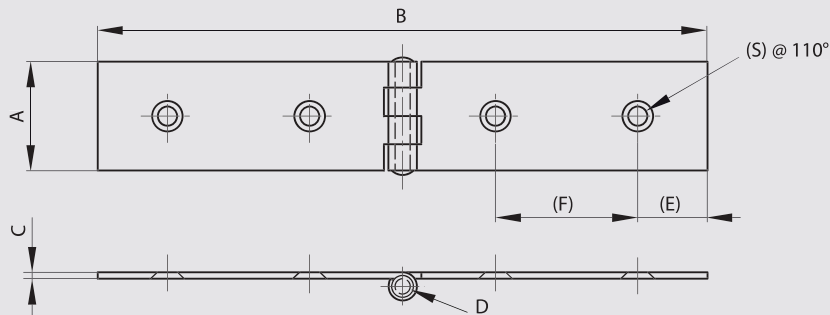
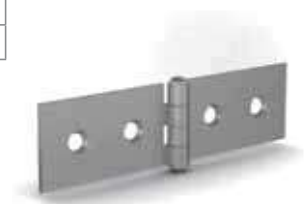


Hinges 20 x 77mm and 22 x 120 mm



| Part number | Material | Finish | A | B | C | D | E | F | S | Weight (g) |
|-------------|----------|--------|----|-----|-----|---|------|----|-----|------------|
| 50-7-3736 | steel | raw | 20 | 77 | 1.2 | 3 | 10 | 16 | 3.2 | 22 |
| 50-7-3737 | steel | raw | 22 | 120 | 1.5 | 5 | 13.5 | 30 | 4.6 | 36 |



Hinge 25 x 140 mm



| Part number | Material | Finish | A | B | C | D | E | F | S | Note | Weight (g) |
|-------------|----------|--------|----|-----|-----|-----|----|----|-----|-------------|------------|
| 50-7-3880 | steel | raw | 25 | 140 | 1.5 | 3.5 | 11 | 46 | 3.5 | riveted pin | 45 |

