

Heavy duty hinges

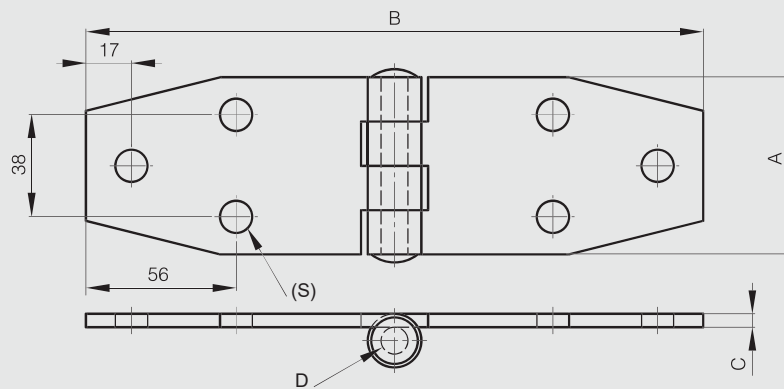
Heavy duty hinges with rolled knuckles

Heavy duty hinge - 66 x 230 mm

Stainless steel riveted pin.



Part number	Material	Finish	A	B	C	D	S	Weight (g)
50-1-4060	steel	zinc plated	66	230	5	10	12	622



Heavy duty hinge - 66 x 215 mm

Stainless steel riveted pin.



Part number	Material	Finish	A	B	C	D	S	Weight (g)
50-1-4061	steel	zinc plated	66	215	5	10	12	622

