

Heavy duty hinges

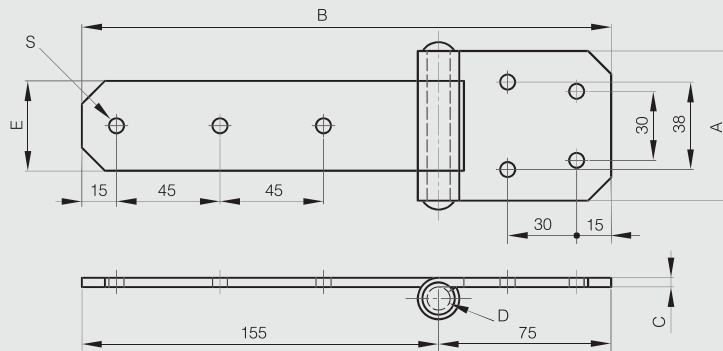
Heavy duty hinges with rolled knuckles

Heavy duty hinges - 65 x 230 mm

Riveted pin.



Part number	Material	Finish	A	B	C	D	E	S	Note	Weight (g)
52-1-3553	304 stainless steel	brightened	65	230	4	10	39	6.5	drilled	430
52-1-3593	304 stainless steel	brightened	65	230	4	10	39		undrilled	450



Heavy duty hinge - 130 x 95 mm

Stainless steel riveted pin.



Part number	Material	Finish	A	B	C	D	Weight (g)
50-1-3944	steel	raw	130	95	4	10	580

