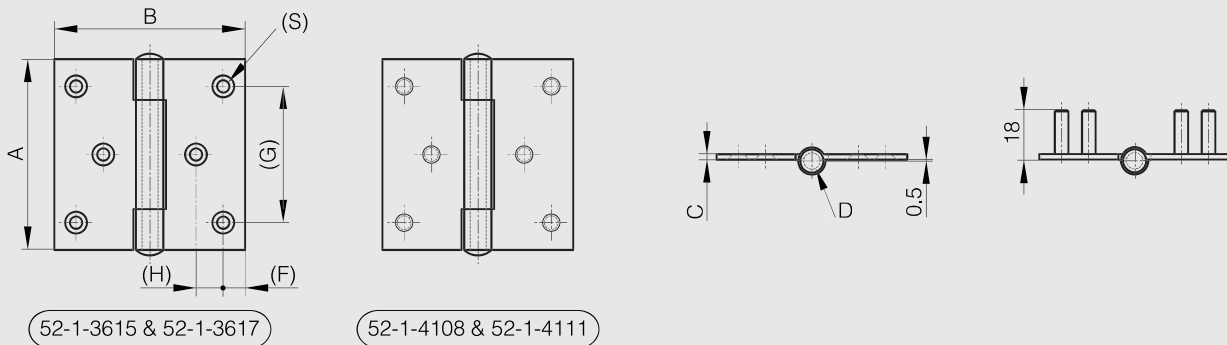


Square hinges with two offset leaves and riveted pin - with 6 holes



Riveted pin.

Part number	Material	Finish	A	B	C	D	F	G	H	S	Note	Weight (g)
52-1-3615	304 stainless steel	raw	70	70	2	6	8	50	10	4.5		156
NS 52-1-4108	304 stainless steel	raw	70	70	2	6	8	50	10	4.5	with M5 studs	174
52-1-3617	304 stainless steel	raw	80	80	2.5	6	8	60	12.5	4.5		164
NS 52-1-4111	304 stainless steel	raw	80	80	2.5	6	8	60	12.5	4.5	with M5 studs	182



Square hinges with no offset leaf and riveted pin - no holes



Riveted pin.

Part number	Material	Finish	A	B	C	D	Weight (g)
50-1-3916	steel	raw	40	40	2	4	36
50-1-3917	steel	raw	50	50	2	6	63
50-1-3648	steel	raw	50	50	2.5	4.5	75
50-1-3918	steel	raw	60	60	2	6	84
50-1-3919	steel	raw	70	70	2	6	112
50-1-3920	steel	raw	80	80	2.5	6	169
50-1-3921	steel	raw	100	100	2.5	6	248
52-1-3679	304 stainless steel	raw	40	40	2	4	37
52-1-3694	304 stainless steel	raw	50	50	2	6	62
52-1-3695	304 stainless steel	raw	60	60	2	6	82
52-1-3864	304 stainless steel	raw	70	70	2	6	112
52-1-3865	304 stainless steel	raw	80	80	2.5	6	168
52-1-3866	304 stainless steel	raw	100	100	2.5	6	250
52-1-3869	316L stainless steel	raw	40	40	2	4	37
52-1-3870	316L stainless steel	raw	50	50	2	6	61
52-1-3871	316L stainless steel	raw	60	60	2	6	90

