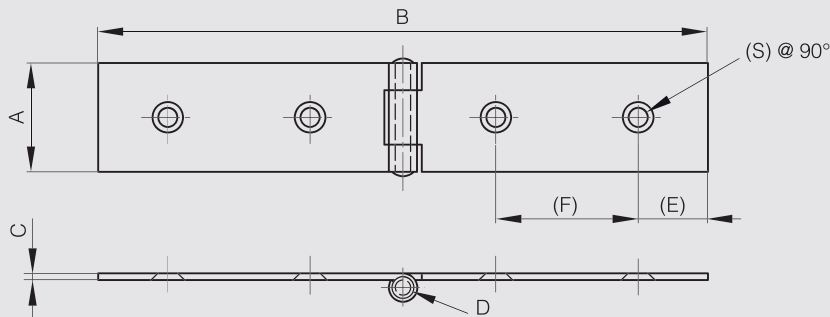


Hinges 30 x 140 mm

Available drilled or undrilled depending on part numbers.



Part number	Material	Finish	A	B	C	D	E	F	S	Note	Weight (g)
50-7-3343	steel	raw	30	140	2.5	6				undrilled	97
50-7-3339	steel	zinc plated	30	140	2.5	6	12.5	35	5.2	drilled	95



Hinge 30 x 83 mm



Part number	Material	Finish	A	B	C	D	S	Weight (g)
50-1-3313	steel	nickel plated	30	83	1.5	3.4	5.5	31

