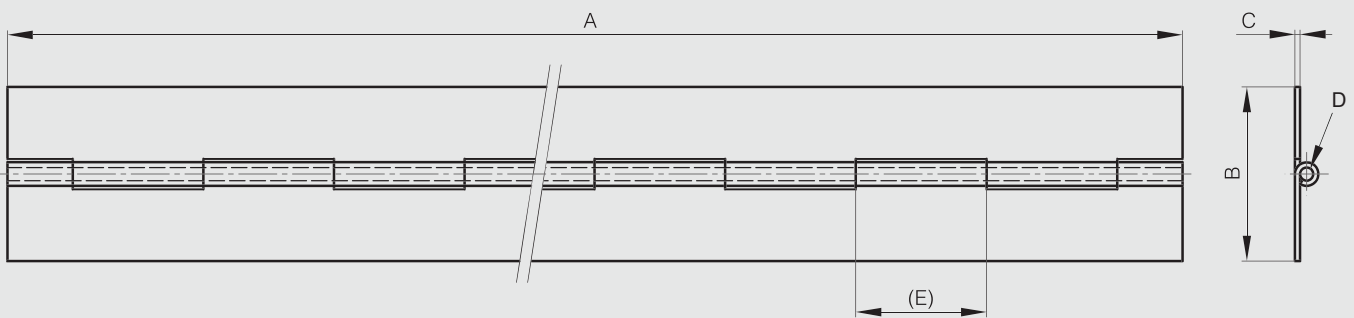


Rolled knuckle continuous hinge - 32 mm width

Opening angle 270°. Other lengths and pin materials are available on request.
Specific drilling requirements are also available on request.



Part number	Material	Finish	A	B	C	D	E	Pin material	Note	Weight (g)
40-1-4771	steel	raw	1950	32	1.5	3	12.5	steel	undrilled	1030
42-1-4346	304 stainless steel	raw	1800	32	1.2	3	30	stainless steel	undrilled	810
42-1-4460	304 stainless steel	raw	1950	32	1.5	3	12.5	stainless steel	undrilled	1030



Rolled knuckle continuous hinge - 35 mm width

Opening angle 270°. Other lengths and pin materials are available on request.
Specific drilling requirements are also available on request.



Part number	Material	Finish	A	B	C	D	E	F	G	S	Pin material	Note	Weight (g)
40-1-3332	steel	raw	2040	35	1	2	15				steel	undrilled	700
40-1-3324	steel	raw	2040	35	1	2	15	19.5	60	4.5	steel	drilled	690
41-1-3532	5754 alu	raw	1995	35	1	3	30				aluminium	undrilled	262

