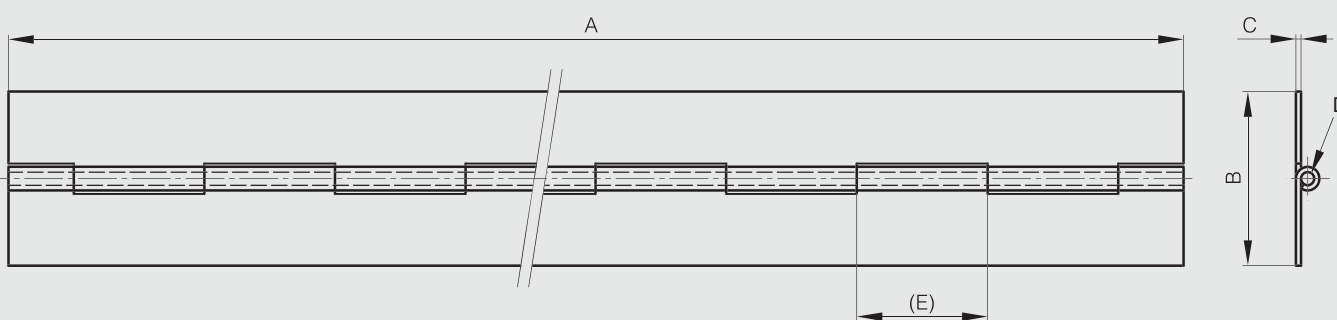


Rolled knuckle continuous hinge - 80 mm width

Opening angle 270°. Other lengths and pin materials are available on request.
Specific drilling requirements are also available on request.



Part number	Material	Finish	A	B	C	D	E	F	G	S	Pin material	Note	Weight (g)
40-1-4774	steel	raw	1950	80	1.5	3	12.5				steel	undrilled	2170
40-1-3542	steel	raw	2000	80	2	7.6	40				steel	undrilled	3900
40-1-4369	steel	raw	2000	80	3	6	40				steel	undrilled	5060
41-1-3558	5754 alu	raw	1995	80	3	6	40				aluminium	undrilled	1780
42-1-4463	304 stainless steel	raw	1950	80	1.5	3	12.5				stainless steel	undrilled	2170
42-1-3304	304 stainless steel	raw	1000	80	3	6	40				stainless steel	undrilled	2530
42-1-3569	304 stainless steel	raw	2000	80	3	6	40				stainless steel	undrilled	5060
42-1-4547	304 stainless steel	raw	2000	80	3	6	40	35	60	5.2	stainless steel	drilled	5000
42-1-4548	316L stainless steel	raw	1980	80	2	6	30				stainless steel	undrilled	3470



Rolled knuckle continuous hinge - 100 mm width

Opening angle 270°. Other lengths and pin materials are available on request.
Specific drilling requirements are also available on request.



Part number	Material	Finish	A	B	C	D	E	Pin material	Note	Weight (g)
40-1-3543	steel	raw	2000	100	3	10	40	steel	undrilled	7100
40-1-4769	steel	raw	1000	100	4	10	40	steel	undrilled	4690
41-1-3561	5754 alu	raw	1000	100	4	10	40	steel	undrilled	2030
42-1-4458	304 stainless steel	raw	1995	100	3	10	40	stainless steel	undrilled	7110
42-1-4459	304 stainless steel	raw	2000	100	3	6	40	stainless steel	undrilled	5930

