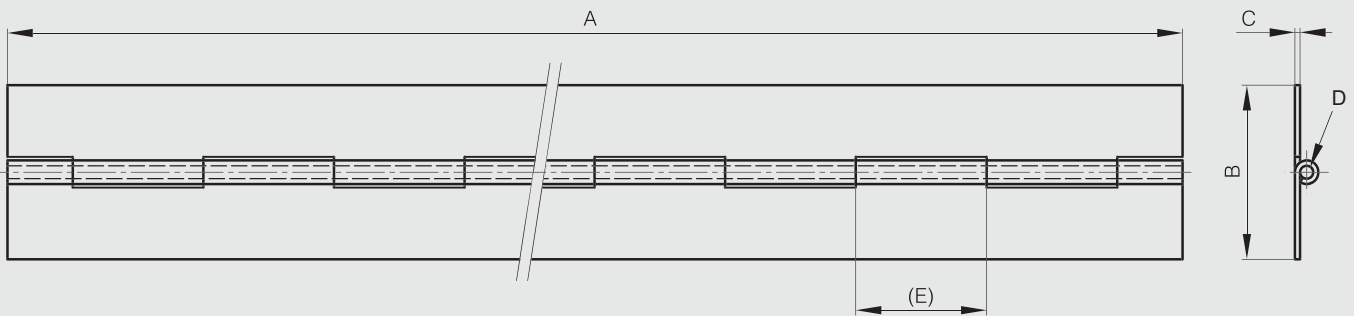


Rolled knuckle continuous hinge - 15 mm width

Opening angle 270°. Other lengths and pin materials are available on request.
Specific drilling requirements are also available on request.



Part number	Material	Finish	A	B	C	D	E	Pin material	Note	Weight (g)
40-1-3327	steel	raw	2040	15	0.7	1.5	15	steel	undrilled	260



Rolled knuckle continuous hinge - 20 mm width

Opening angle 270°. Other lengths and pin materials are available on request.
Specific drilling requirements are also available on request.



Part number	Material	Finish	A	B	C	D	E	F	G	S	Pin material	Note	Weight (g)
40-1-3328	steel	raw	2040	20	0.8	2	15				steel	undrilled	370
40-1-3321	steel	raw	2040	20	0.8	2	15	11.5	60	2.8	steel	drilled	352
41-1-3529	5754 alu	raw	2000	20	0.6	2.4	15				steel	undrilled	150
42-1-3664	304 stainless steel	raw	2040	20	0.8	2	15				stainless steel	undrilled	377
42-1-4195	304 stainless steel	raw	2040	20	0.8	2	15	11.5	60	2.8	stainless steel	drilled	367

