

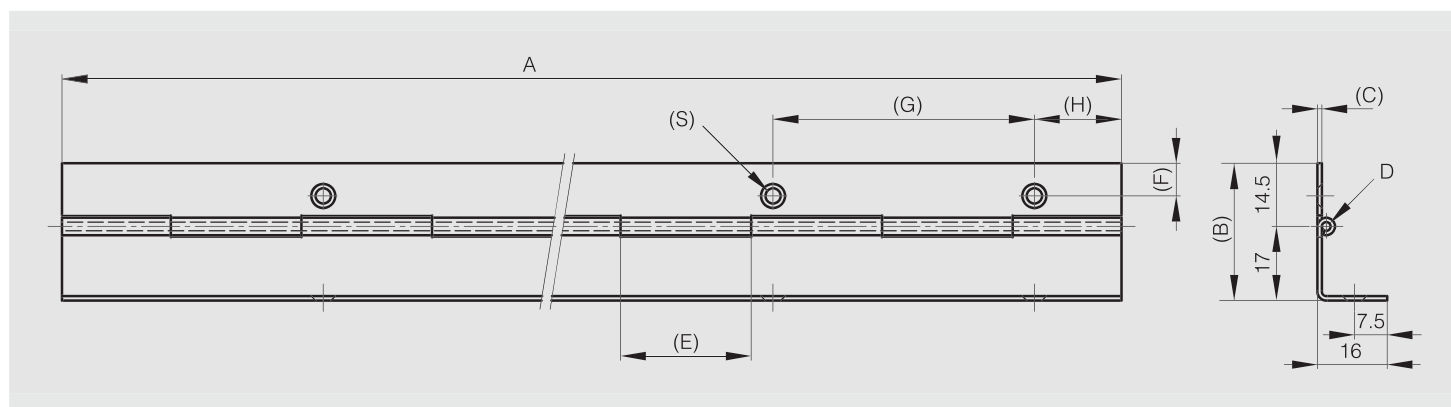


### Drilled continuous hinge with one cranked leaf

Opening angle 270°. Other lengths and pin materials are available on request.  
Specific drilling requirements are also available on request.



Part number	Material	Finish	A	B	C	D	E	F	G	H	S	Pin material	Note	Weight (g)
39-1-3630	304 stainless steel	raw	1995	31.5	1	2	30	7.5	60	20	3.5	304 stainless steel	drilled	860



### Undrilled continuous hinge with one cranked leaf

Opening angle 270°. Other lengths and pin materials are available on request.  
Specific drilling requirements are also available on request.



Part number	Material	Finish	A	B	C	D	E	Pin material	Note	Weight (g)
39-1-3633	304 stainless steel	raw	1995	44	1.5	3	25	304 stainless steel	undrilled	1859
39-1-3300	430 stainless steel	raw	1600	44	1.5	3	25	304 stainless steel	undrilled	1430

