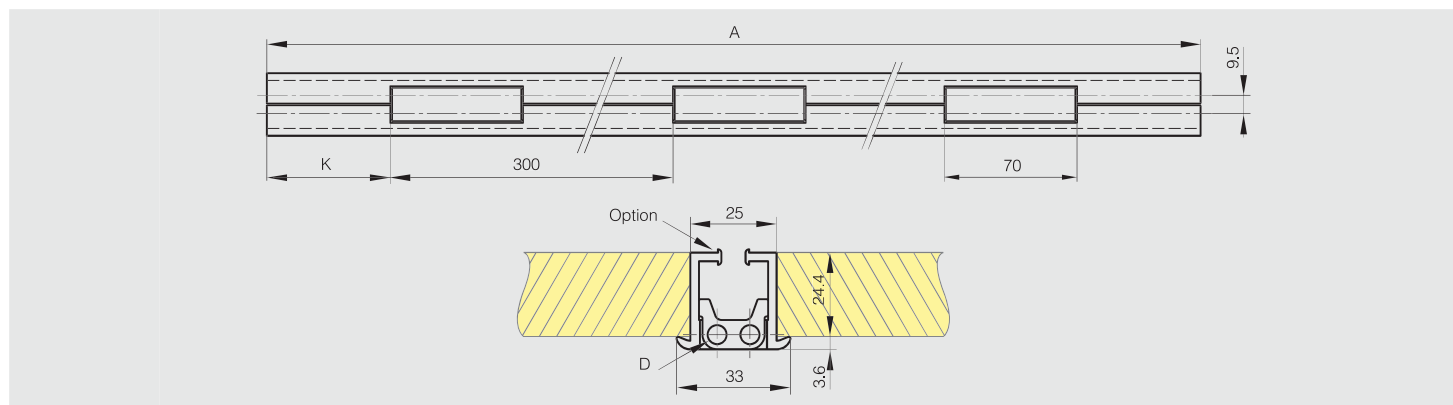


Double knuckle continuous hinge

Hinge in aluminium profile for 180° opening angle.
 Delivered without watertight gasket (to be ordered separately).
 With fixed friction washers.
 Non-drilled hinges.



Part number	Material	Finish	A	D	K	Pin material	Weight (g)
73-1-3520	6060 T5 alu	clear anodised	2000	5	65	304 stainless steel	2500
73-1-3521	6060 T5 alu	clear anodised	2500	5	15	304 stainless steel	3140
73-1-3522	6060 T5 alu	clear anodised	3000	5	115	304 stainless steel	3780



Seal gasket for double knuckle continuous hinge

Gasket made of soft rubber with a steel clip-on core and foam rubber.



Part number	Material	A	Weight (g)
27-1-3816	reinforced rubber profile	2000	235
27-1-3817	reinforced rubber profile	2500	317
27-1-3818	reinforced rubber profile	3000	405

