



Support stays

Multi-angle lid stay with lock

Locks lid in multiple positions by manually sliding lock lever.

Slide back lever to lock / unlock.

Ideal for vibration or shock applications.

Can be installed individually or in pairs.

Non-handed: can be installed on left or right side.

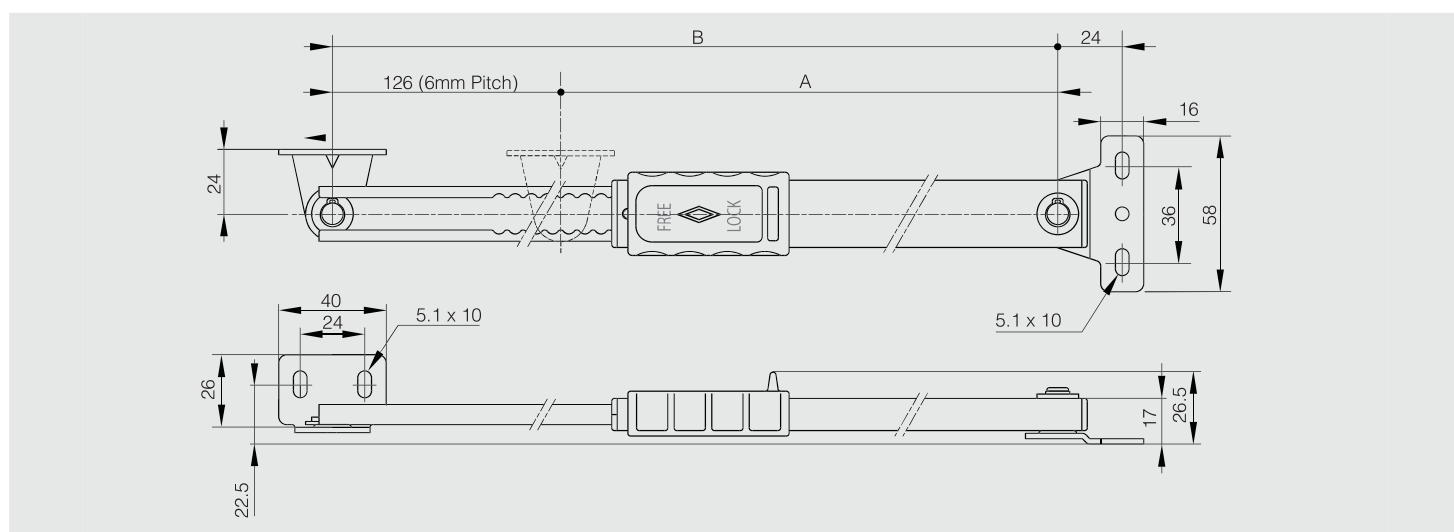
Compression load: max. 290 N.

Produced mainly in stainless steel, for a complete description of the materials contact us.

STAINLESS
STEEL



Part number	Material	Finish	A	B	Weight (g)
24-7-3580	304 stainless steel	satin	224	350	325



Support stay

For limiting opening angle of panels.

Produced mainly in stainless steel, for a complete description of the materials contact us.

STAINLESS
STEEL



Part number	Material	Finish	A	B	Weight (g)
24-7-3546	304 stainless steel	satin	180	210	90
24-7-3547	304 stainless steel	satin	210	240	95
24-7-3548	304 stainless steel	satin	240	270	107

