



Support stays

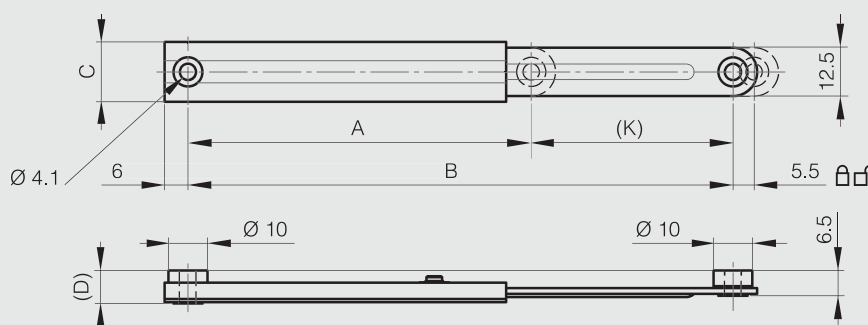
Support stays with automatic release - small size

Load capacity: 6 kg.

Produced mainly in stainless steel, for a complete description of the materials contact us.



Part number	Material	Finish	A	B	C	D	K	Weight (g)
24-7-3571	304 stainless steel	raw	88	140	15.4	8.8	52	40
24-7-3577	304 stainless steel	raw	67	100	15.4	8.8	32	10



Support stays with automatic release in stainless steel

Load capacity: 15 kg.



Part number	Material	Finish	A	B	Weight (g)
24-7-3552	304 stainless steel	satin	133	195	125
24-7-3553	304 stainless steel	satin	170	270	150

