

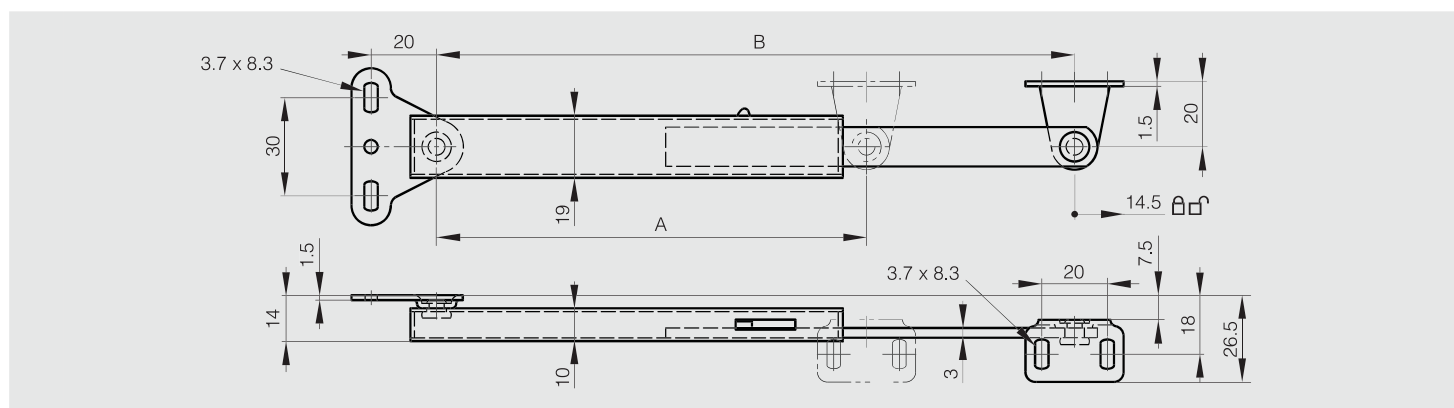


Support stays with automatic release in stainless steel

Load capacity: 15 kg.

STAINLESS
STEEL

Part number	Material	Finish	A	B	Weight (g)
24-7-3552	304 stainless steel	satin	133	195	125
24-7-3553	304 stainless steel	satin	170	270	150



Support stay with automatic release - 495 mm long

A = closed dimension.

B = extended dimension.

STEEL RoHS

Part number	Material	Finish	A	B	Weight (g)
24-7-3543	steel	zinc plated	290	495	300

