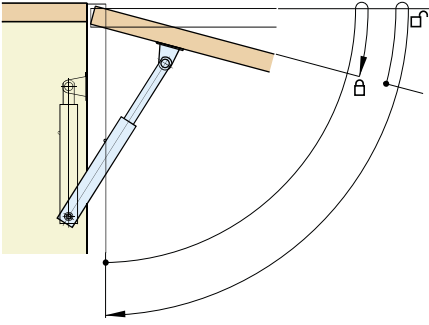


Support stays with automatic release



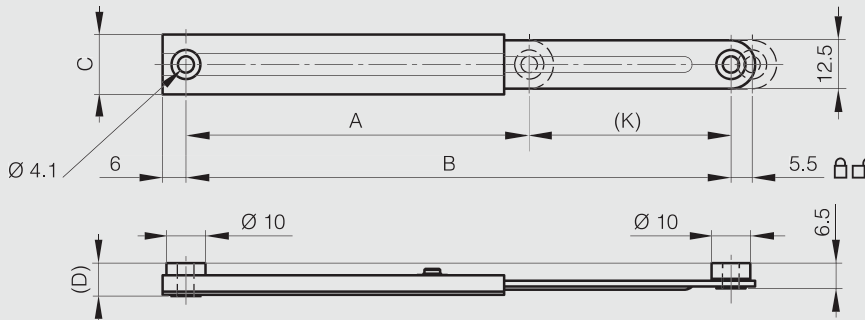
Support stays with automatic release - small size

Load capacity: 6 kg.

Produced mainly in stainless steel, for a complete description of the materials contact us.



Part number	Material	Finish	A	B	C	D	K	Weight (g)
24-7-3571	304 stainless steel	raw	88	140	15.4	8.8	52	40
24-7-3577	304 stainless steel	raw	67	100	15.4	8.8	32	10



Support stay with automatic release - 239 mm long

A = closed dimension.

B = extended dimension.



Part number	Material	Finish	A	B	Weight (g)
24-7-3542	steel	zinc plated	159	239	112

