



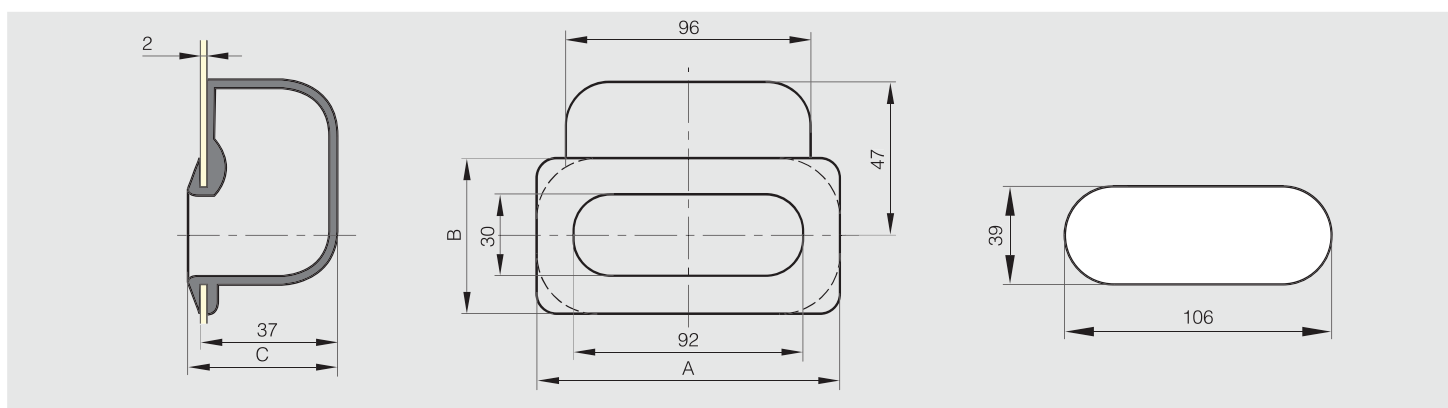
Snap-in flush handles

Recessed handle in elastomer

Snap-in in the cut-out.



Part number	Material	Finish	A	B	C	Weight (g)
19-7-3838	elastomer	black	120	58	43	95



Snap-in flush handle 90 x 40 mm

Door thickness: 0.75 to 1.5 mm.



Part number	Material	Finish	A	B	C	Weight (g)
19-1-3687	ABS	black	90	40	16	11

