



Flush handles

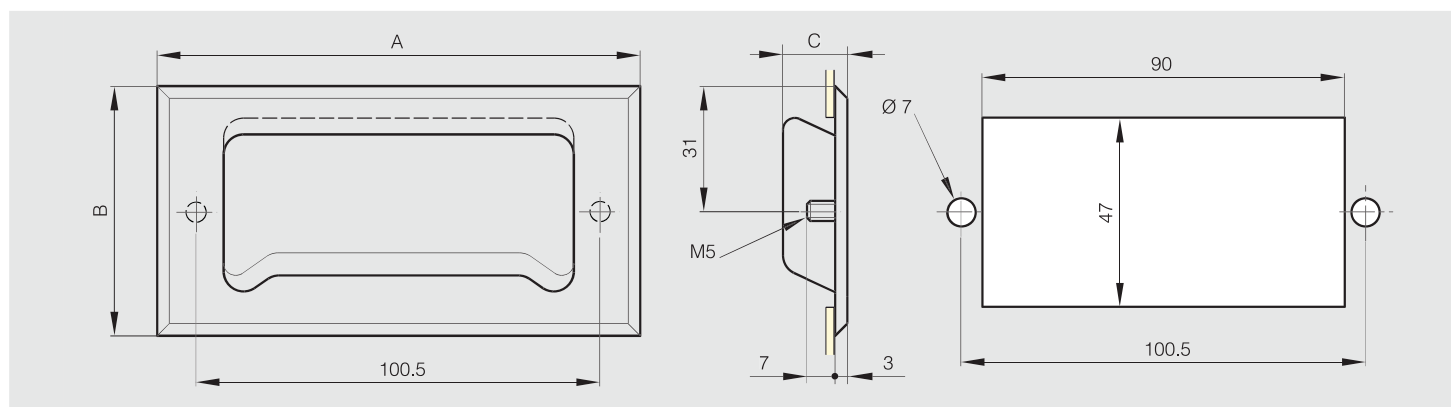
Bolt-on flush handle 120 x 62 mm

Bolt in copper plated steel.

Produced mainly in stainless steel, for a complete description of the materials contact us.

STAINLESS
STEEL

Part number	Material	Finish	A	B	C	Weight (g)
19-7-3832	304 stainless steel	satin	120	62	16	60



Bolt-on flush handle 138 x 88 mm

Stud in 304 stainless steel.

STAINLESS
STEEL 

Part number	Material	Finish	A	B	C	Weight (g)
19-7-3845	304 stainless steel	satin	138	88	26	170

