

Recessed spring loaded drop handles 155.5 mm - load 57 kg

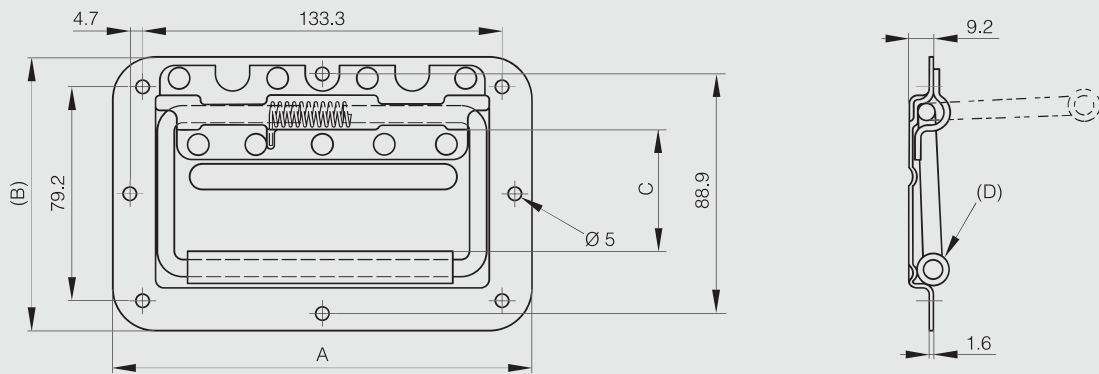
Maximum load: 57 kg.

With 90° stop.

Cut-out dimension: 78.7 x 132.

STEEL

Part number	Material	Finish	A	B	C	D	Weight (g)
19-7-3751	steel	zinc plated	152.4	101.6	42.9	19	385
19-7-3749	steel	zinc plated	155.5	101.6	46	13.5	385



Recessed spring loaded drop handles 177.8 mm - load 68 kg

Maximum load: 68 kg.

With 90° stop.

Cut-out dimension: 99 x 146.

STEEL

Part number	Material	Finish	A	B	C	Weight (g)
19-7-3756	steel	zinc plated	177.8	127	62	567

