



### Spring loaded handles 130.3 mm - load 45 kg

Maximum load: 45 kg.

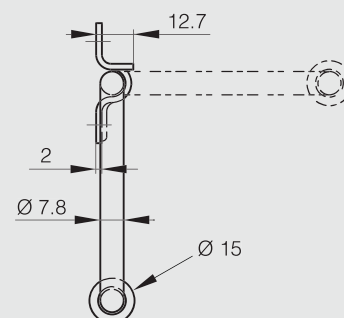
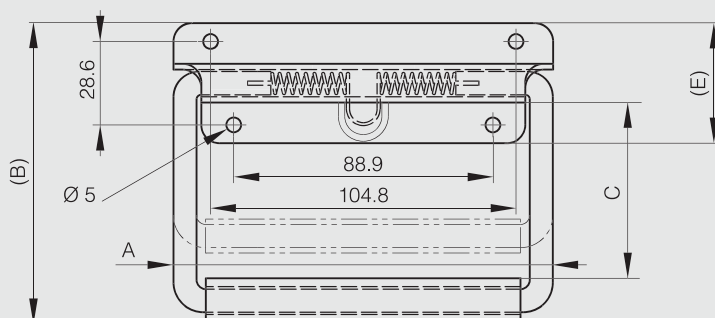
With 90° stop.

Rubber grip.

Produced mainly in stainless steel, for a complete description of the materials contact us.

STAINLESS  
STEEL

| Part number | Material            | Finish | A     | B     | C    | E    | Weight (g) |
|-------------|---------------------|--------|-------|-------|------|------|------------|
| 19-7-3746   | 304 stainless steel | raw    | 130.3 | 82.6  | 38.1 | 41.9 | 217        |
| 19-7-3741   | 302 stainless steel | raw    | 130.3 | 104.1 | 60.4 | 41.9 | 237        |



### Spring loaded handle 130 mm - load 54 kg

Maximum load: 54 kg.

With 90° stop.

A special aluminium sleeve located between the rubber grip and the bail assures the grip will not ride up on the bail during lifting. Adds comfort and durability.

Fungus resistant neoprene.

Meets military specifications MIL.T.945, MIL.C.4150.

Produced mainly in stainless steel, for a complete description of the materials contact us.

STAINLESS  
STEEL



| Part number | Material            | Finish | A   | B     | C    | Weight (g) |
|-------------|---------------------|--------|-----|-------|------|------------|
| 19-7-3725   | 304 stainless steel | raw    | 130 | 112.7 | 50.8 | 317        |

