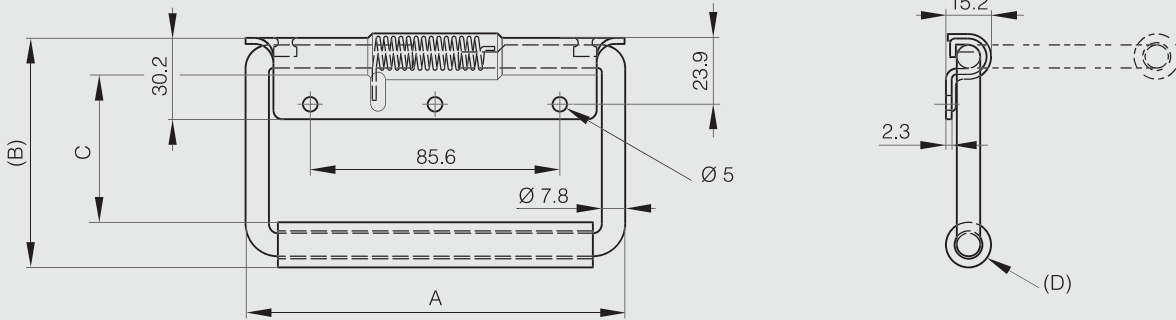


Spring loaded handles 130 mm - load 45 kg

Maximum load: 45 kg.
With 90° stop.
Rubber grip.

STEEL

Part number	Material	Finish	A	B	C	D	Weight (g)
19-7-3733	steel	zinc plated	130	81.3	48.3	15	226



Spring loaded handles 130.3 mm - load 45 kg

Maximum load: 45 kg.
With 90° stop.
Rubber grip.
Produced mainly in stainless steel, for a complete description of the materials contact us.

STAINLESS STEEL STEEL

Part number	Material	Finish	A	B	C	E	Weight (g)
19-7-3745	steel	zinc plated	130.3	82.6	38.1	39.6	215
19-7-3740	steel	zinc plated	130.3	104.1	60.4	39.6	232
19-7-3746	304 stainless steel	raw	130.3	82.6	38.1	41.9	217
19-7-3741	302 stainless steel	raw	130.3	104.1	60.4	41.9	237

