

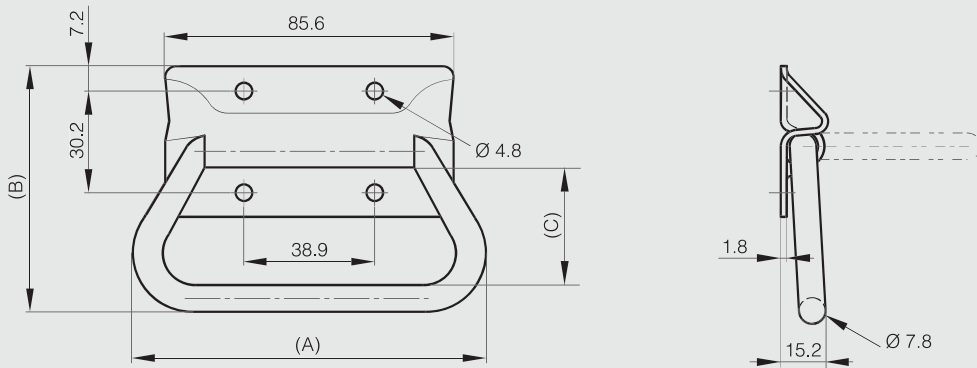
Drop handles - free swing

Drop handle 104.8 x 73.7 mm - load 90 kg

Maximum load: 90 kg.
With 90° stop.

STEEL

Part number	Material	Finish	A	B	C	Weight (g)
19-7-3721	steel	zinc plated	104.8	73.7	34.9	181



Drop handles 140 x 87 mm - load 60 kg

Maximum load: 60 kg.
With 80° stop.

STEEL

Part number	Material	Finish	A	B	C	Note	Weight (g)
19-7-3341	steel	raw	118	80	34	undrilled	180
19-7-3638	steel	zinc plated	118	80	34	drilled	180

