



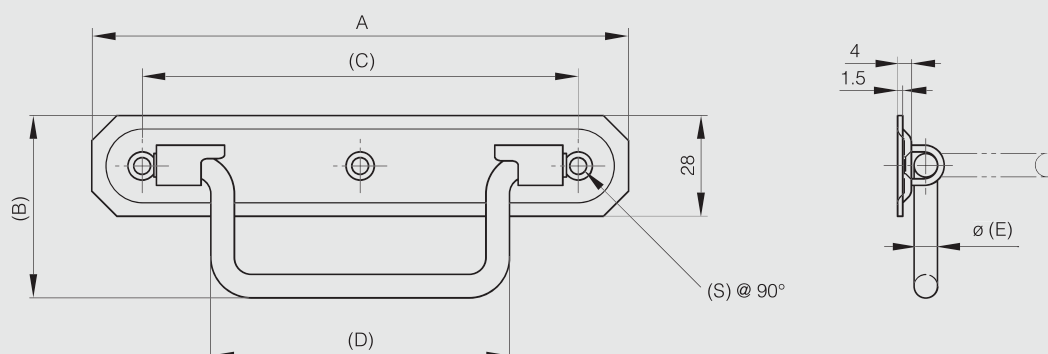
Drop handles

Drop handle with chamfered angles - load 35 kg

With 90° stop.



Part number	Material	Finish	A	B	C	D	E	S	Note	Weight (g)
19-7-3690	304 stainless steel	raw	158	54	130	89	7	5.2	load: 35 kg / chamfremed angles	120



Spring loaded handles - load 34 kg - 180° opening

Maximum load: 34 kg.

With 180° stop.

Rubber grip in EPDM.

Produced mainly in stainless steel, for a complete description of the materials contact us.



Part number	Material	Finish	A	B	C	Weight (g)
19-7-3711	304 stainless steel	passivated	130	75.4	46	227

