



Drop handles

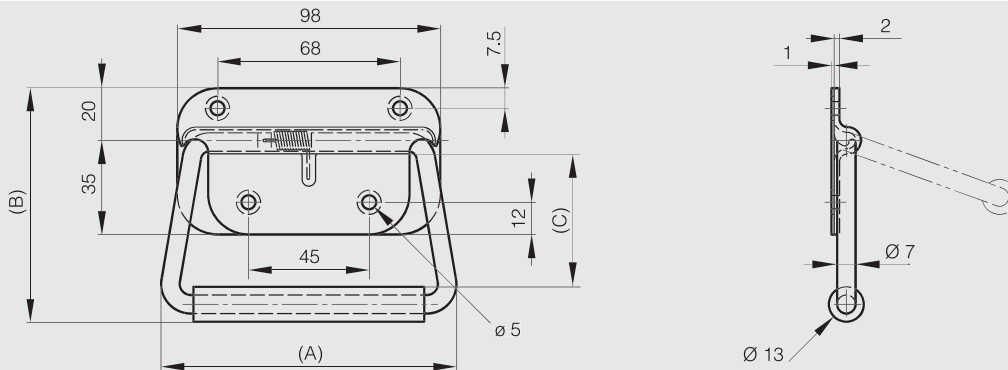
Spring loaded drop handles

Spring loaded handles 110 mm - load 25 kg

Maximum load: 25 kg.
With 70° stop.

STEEL

Part number	Material	Finish	A	B	C	Weight (g)
19-7-3641	steel	zinc plated	110	87	50.5	210



Spring loaded handles - load 34 kg - 180° opening

Maximum load: 34 kg.
With 180° stop.
Rubber grip in EPDM.

STAINLESS STEEL STEEL RoHS

Produced mainly in stainless steel, for a complete description of the materials contact us.

Part number	Material	Finish	A	B	C	Weight (g)
19-7-3710	steel	black epoxy	130	75.4	46	227
19-7-3711	304 stainless steel	passivated	130	75.4	46	227

