



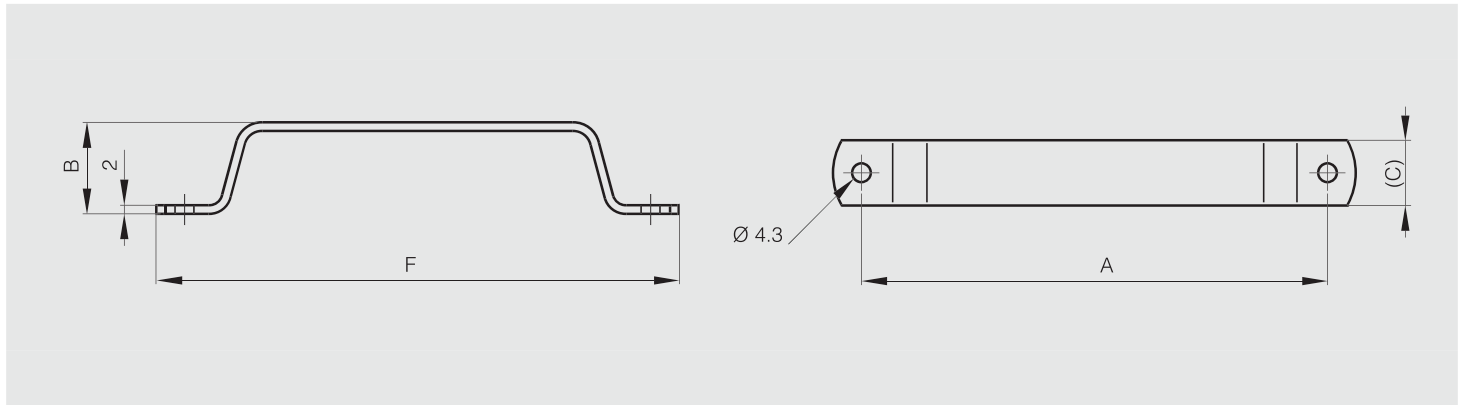
front mount grab handles

Front mounted grab handles 107 mm in steel or stainless steel

Handle made from galvanised steel is pregalvanised. Therefore any cut surface is ungalvanised.



Part number	Material	Finish	A	B	C	F	Weight (g)
19-1-3807	galvanised steel	raw	107	21	15	120	32
19-1-3797	304 stainless steel	deburred	107	21	15	120	32



Front mounted grab handle 107 mm - zinc die-cast



Part number	Material	Finish	A	B	C	F	Weight (g)
19-7-3639	zinc die-cast	chrome plated	107	22	14	120	40

