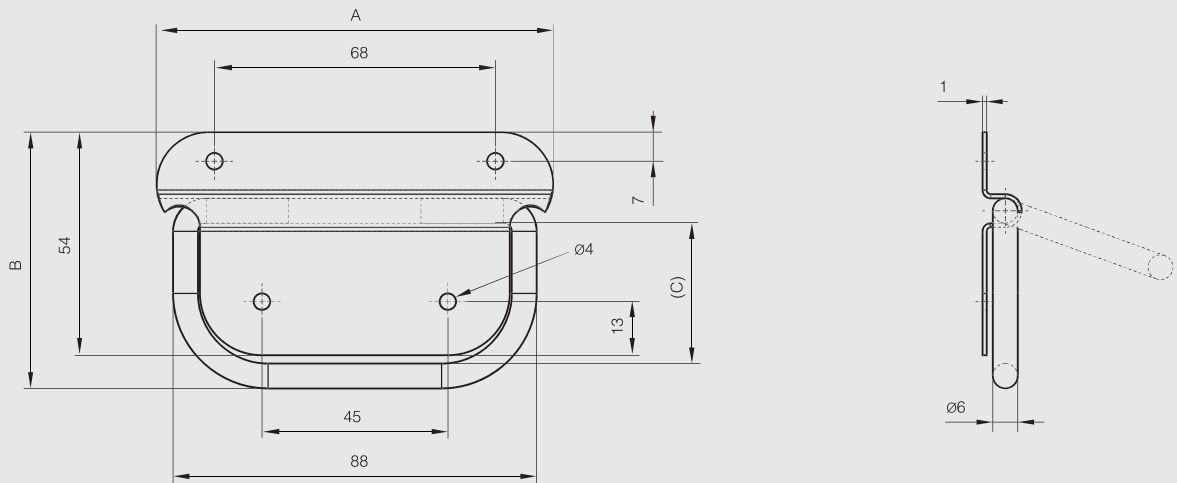


Drop handles 96 x 61 mm - load 25 kg

Maximum load: 25 kg.
With 80° stop.

STEEL

Part number	Material	Finish	A	B	C	Note	Weight (g)
19-7-3339	steel	raw	96	63	34	undrilled	77
19-7-3637	steel	zinc plated	96	63	34	drilled	77



Drop handle 96 x 71 mm - load 25 kg

Maximum load: 25 kg.
With 80° stop.

STEEL

Part number	Material	Finish	A	B	C	Note	Weight (g)
19-7-3633	steel	zinc plated	96	72	45	drilled	107

