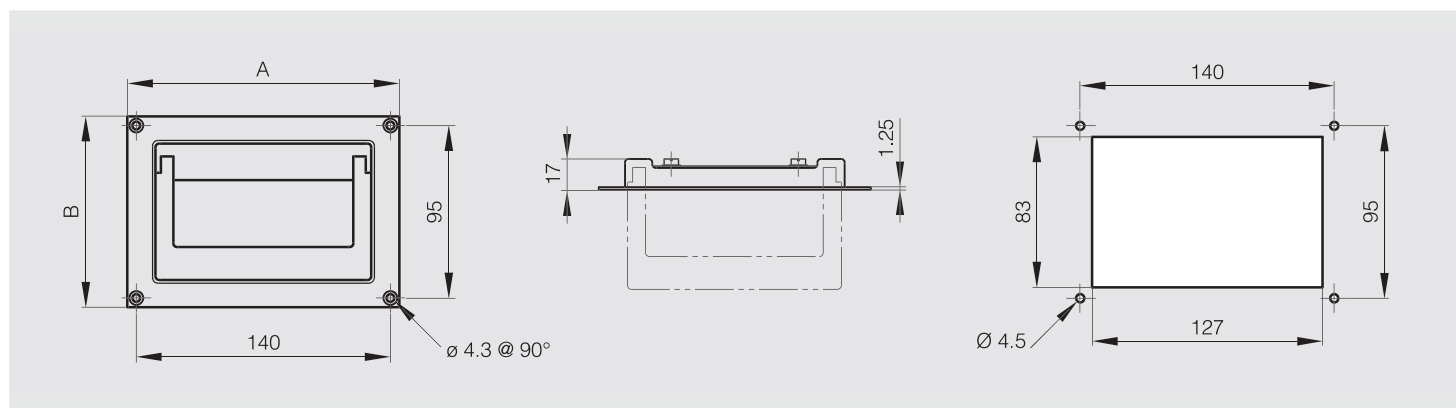


Flush handle 150 x 105 mm

This handle has 2 detents at 0° and 90°.
 Maximum load: 100 kg/pair.
 Delivered unassembled.
 Cut-out dimension: 83 x 127.

STEEL 

Part number	Material	Finish	A	B	Weight (g)
19-7-3606	steel	zinc plated	150	105	450



Flush handle 194 x 76 mm

This handle has 2 detents at 0° and 90°.
 Maximum load: 100 kg/pair.

ZAMAK 

Part number	Material	Finish	A	B	C	Weight (g)
19-7-3643	zinc die-cast	silver varnish / black	194	76	20.5	310

