

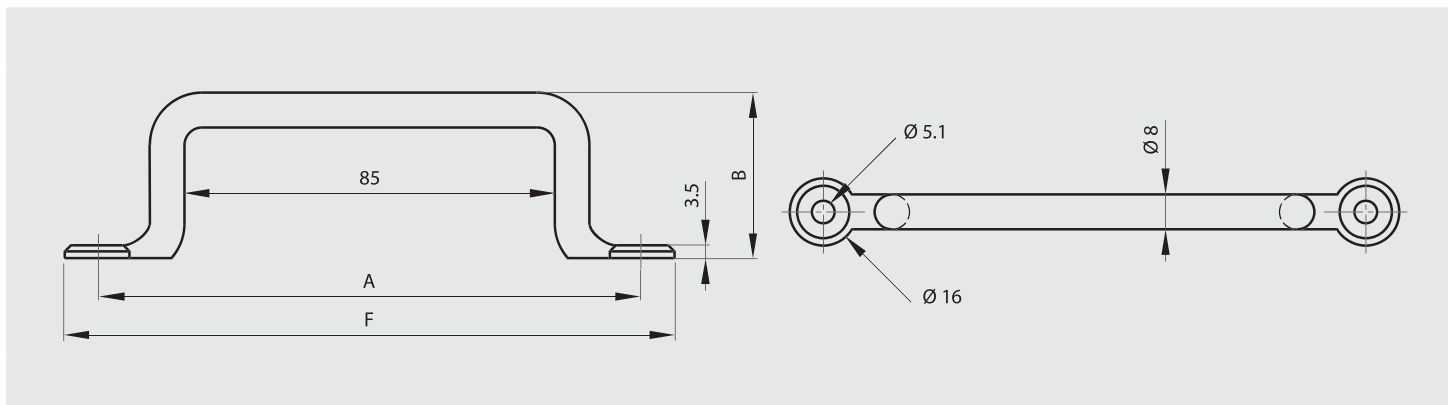


Front mount grab handles

Front mounted grab handle 125 mm

STEEL

Part number	Material	Finish	A	B	F	Weight (g)
19-7-3343	steel	zinc plated	125	38	140	68



Front mounted grab handles 106 and 126 mm

Complete with wood screws.

STAINLESS STEEL RoHS

Part number	Material	Finish	A	B	C	D	E	F	G	H	S	Weight (g)
19-7-3694	304 stainless steel	mirror polished	106	27	36	7	5	120	24	12	4.1	131
19-7-3695	304 stainless steel	mirror polished	126	33	45	8	6	150	30	15	5.3	242

