



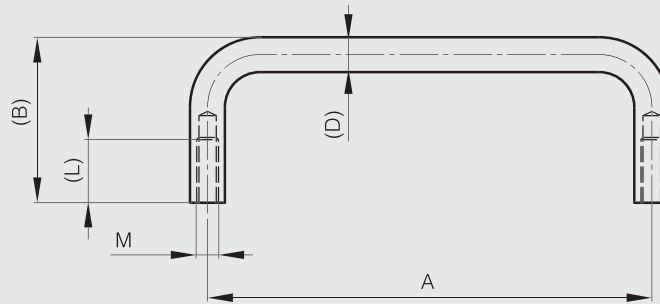
## Rear mount grab handles

### Rear mounted grab handles 95 to 150 mm

For use with M4 screws (included).

STAINLESS  
STEEL

Part number	Material	Finish	A	B	D	L	M	Weight (g)
19-7-3701	304 stainless steel	mirror polished	95	28	9	8	4	76
19-7-3700	304 stainless steel	mirror polished	120	28	9	8	4	88
19-7-3699	304 stainless steel	mirror polished	150	28	9	8	4	103



### Rear mounted grab handles 102 to 204 mm

STEEL RoHS

Part number	Material	Finish	A	B	D	L	M	Weight (g)
19-1-3569	steel	chrome plated	102	38	8	14	5	70
19-1-3570	steel	chrome plated	153	38	8	14	5	90
19-1-3571	steel	chrome plated	204	38	8	14	5	105

