

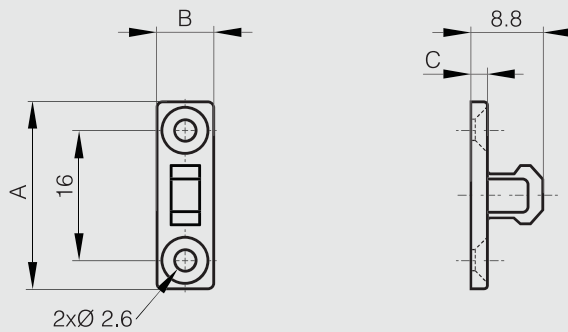


## Touch latches

### Counter plate for part number 16-7-4300



Part number	Material	Finish	A	B	C	Weight (g)
16-7-4301	POM	black	23	7	2	1



### Touch latch - Screw mounting - With counter plate



Passed 30,000 open/close cycle test.

Touch latch with floating strike allows for easy alignment.

For overlay door, allow 3 mm gap between door and cabinet frame for push space.

Pulling door with excessive force without unlatching the unit may damage the mechanism.

Latch: ABS/POM.

Counter plate: PA.

Comes with screws.



Part number	Material	Finish	A	B	C	Force	Weight (g)
16-7-4299	polymer	black	37	36.3	13.2	3kg	15

