



Touch latches

Touch latch - Screw mounting - Strong retaining force

Passed 100,000 open/close cycle test.

Strong retaining force: 8 kg.

Floating counter plate for easy alignment.

For overlay door, allow 3 mm gap between door and cabinet frame for push space.

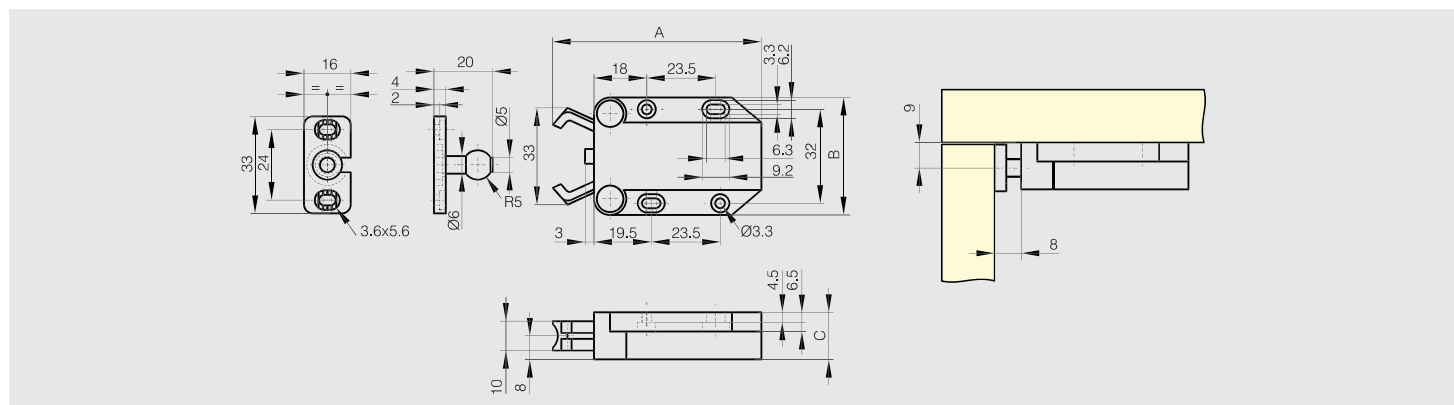
Pulling the door with excessive force without unlatching the unit may damage the mechanism.



Latch: ABS/POM.
Counter plate: PA.
Comes with screws.



Part number	Material	Finish	A	B	C	Force	Weight (g)
16-7-4298	polymer	black	71	40	16	8kg	24



Magnetic touch latch



Lightly push to open the door.

When closing, magnet will catch the door by lightly pushing.



For overlay doors, make a 3.5mm gap between door and cabinet frame.

Body: ABS

Counter plate and yoke: steel zinc chromate

Included:

- Counter plate
- 4 round head wood screws 3.1 x 13 mm
- 1 countersunk head screw 2.7 x 13 mm.



Part number	Material	Finish	A	B	C	Force	Weight (g)
NEW 16-7-4331	ABS	white	43.5	36	15	1.6 kg	22

